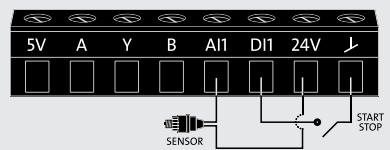
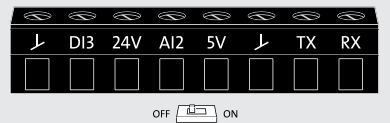
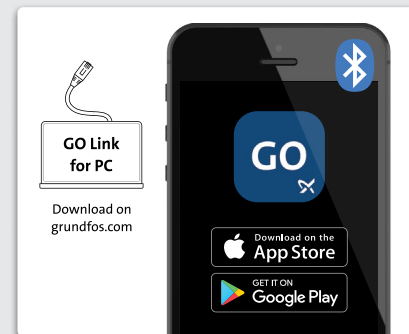
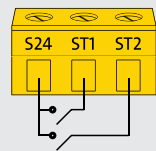


■ FM110 and FM310/311*
 ■ FM310/311* only
 * Bluetooth is not available for FM311.



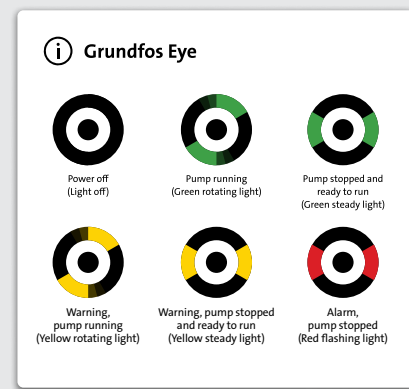
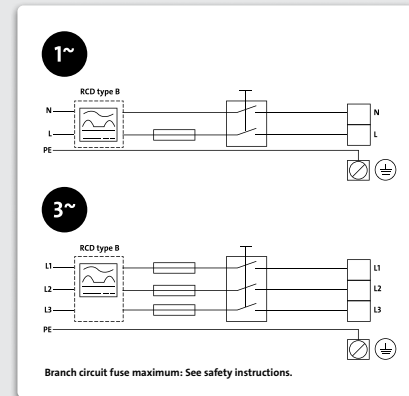
NC	Normally closed contact	Signal relay 1 (LIVE) Max. contact load: 250 VAC, 2 A or 30 VDC, 2 A
C1	Common	
NO	Normally open contact	

NC	Normally closed contact	Signal relay 2 Max. contact load: 30 VDC, 2 A
C2	Common	
NO	Normally open contact	

RJ45	Ethernet	Communication
------	----------	---------------

↘	GND	Ground
DI3	DI3/OC1	Digital input/output, configurable. Open collector. Max. 24 V resistive or inductive.
24V	+24 V	Supply: Max current: 200 mA (sourcing only)
AI2	Analog Input 2	0-20 mA / 4-20 mA 0.5 - 3.5 V / 0-5 V / 0-10 V
5V	+5 V	Supply to potentiometer and sensor. Max. current: 60 mA (sourcing only)
↘	GND	Ground
TX	GDS TX	Grundfos Digital Sensor output
RX	GDS RX	Grundfos Digital Sensor input
↕	Dip switch	AYB bus termination ON/OFF
5V	+5 V	Supply to potentiometer and sensor. Max. current: 60 mA (sourcing only)
A	GENibus, A	GENibus, A (+) / Modbus, DI (+)
Y	GENibus, Y	GENibus, GND / Modbus, GND
B	GENibus, B	GENibus, B (-) / Modbus, DO (-)
AI1	Analog Input 1	0-20 mA / 4-20 mA 0.5 - 3.5 V / 0-5 V / 0-10 V
DI1	Digital Input 1	Digital input, configurable
24V	+24 V	Supply: Max current: 200 mA (sourcing only)
↘	GND	Ground

S24	+24 V	Supply: For STO use only.
ST1	STO1	Safe Torque Off – Input 1
ST2	STO2	Safe Torque Off – Input 2
↘	GND	Ground
DI4	DI4/OC2	Digital input/output, configurable. Open collector. Max. 24 V resistive or inductive.
PT2	Pt100/1000 Input 2	Pt100/1000 sensor Min.: -50 °C (80 Ω/803 Ω) Max.: 204 °C (177 Ω/1773 Ω)
PT1	Pt100/1000 Input 1	
LT1	LiqTec sensor Input 1	LiqTec sensor input (white conductor)
↘	GND	Ground (brown and black conductors)
LT2	LiqTec sensor Input 2	LiqTec sensor input (blue conductor)
AO1	Analog output	0-20 mA / 4-20 mA 0-10 V
↘	GND	Ground
AI3	Analog Input 3	0-20 mA / 4-20 mA 0.5 - 3.5 V / 0-5 V / 0-10 V
DI2	Digital Input 2	Digital input, configurable

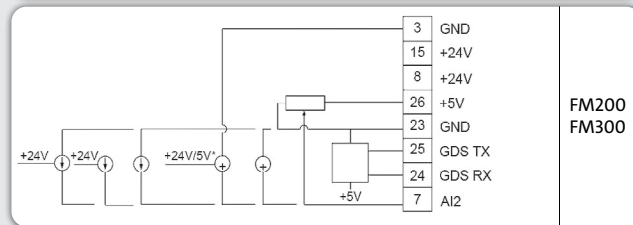
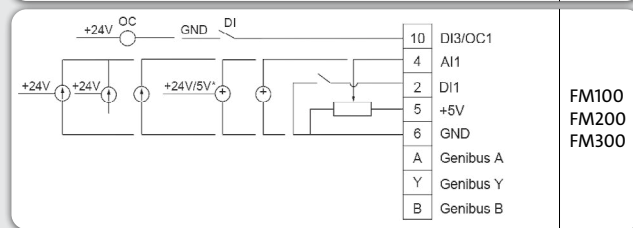
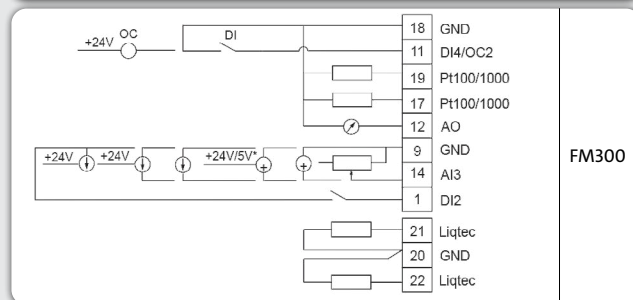
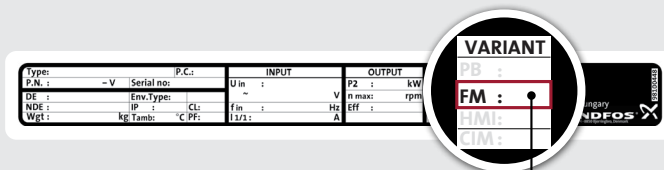


93265002 01.2025
 ECM: 1413460

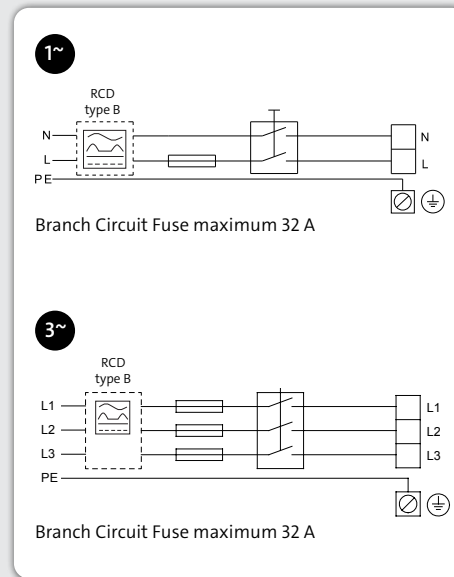
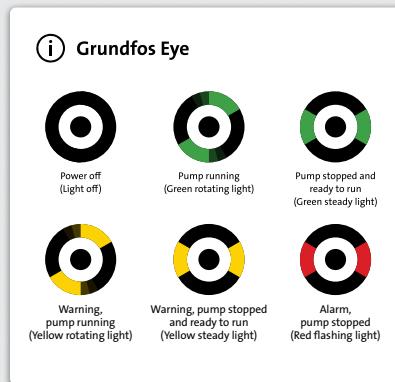
GRUNDFOS Holding A/S
 Poul Due Jensens Vej 7
 DK-8850 Bjerringbro
 Tel: +45 87 50 14 00
 www.grundfos.com



Terminal	Type	Function
NC	Normally closed contact	Signal relay 1 (LIVE or SELV)
C1	Common	Max. contact load: 250 VAC, 2 A or 30 VDC, 2 A
NO	Normally open contact	
NC	Normally closed contact	Signal relay 2 (SELV only)
C2	Common	Max. contact load: 30 VDC, 2 A
NO	Normally open contact	
18	GND	Ground
11	DI4/OC2	Digital input/output, configurable. Open collector: Max. 24 V resistive or inductive.
19	Pt100/1000 input 2	Pt100/1000 sensor
17	Pt100/1000 input 1	Min.: -50 °C (80 Ω/803 Ω) Max.: 204 °C (177 Ω/1773 Ω)
12	AO	Analog output: 0-20 mA / 4-20 mA / 0-10 V
9	GND	Ground
14	AI3	Analog input: 0-20 mA / 4-20 mA / 0.5 - 3.5 V / 0-5 V / 0-10 V
1	DI2	Digital input, configurable.
21	LiqTec sensor input 1	LiqTec sensor input (white conductor)
20	GND	Ground (brown and black conductors)
22	LiqTec sensor input 2	LiqTec sensor input (blue conductor)
10	DI3/OC1	Digital input/output, configurable. Open collector: Max. 24 V resistive or inductive.
4	AI1	Analog input: 0-20 mA / 4-20 mA / 0.5 - 3.5 V / 0-5 V / 0-10 V
2	DI1	Digital input, configurable.
5	+5 V	Supply to potentiometer and sensor Max. current: 50 mADC (sourcing only)
6	GND	Ground
A	GENibus, A	GENibus, A (+)
Y	GENibus, Y	GENibus, GND
B	GENibus, B	GENibus, B (-)
3	GND	Ground
15	+24 V	Supply Max. current: 50 mADC (sourcing only)
8	+24 V	
26	+5 V	Supply to potentiometer and sensor Max. current: 50 mADC (sourcing only)
23	GND	Ground
25	GDS TX	Grundfos Digital Sensor output
24	GDS RX	Grundfos Digital Sensor input
7	AI2	Analog input: 0-20 mA / 4-20 mA / 0.5 - 3.5 V / 0-5 V / 0-10 V



*If an external supply source is used, there must be a connection to GND.



93265002 01.2025
ECM: 1413460

GRUNDFOS Holding A/S
Poul Due Jensens Vej 7
DK-8850 Bjerringbro
Tel: +45 87 50 14 00
www.grundfos.com