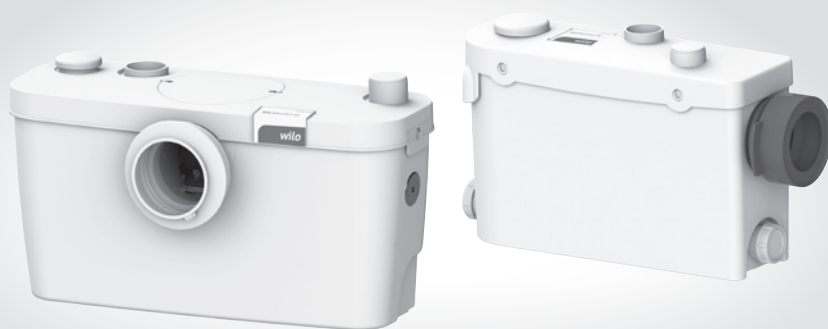


Wilo-HiSewlift 3



de Einbau- und Betriebsanleitung
en Installation and operating instructions
fr Notice de montage et de mise en service
nl Inbouw- en bedieningsvoorschriften
es Instrucciones de instalación y funcionamiento
it Istruzioni di montaggio, uso e manutenzione
pt Manual de Instalação e funcionamento
tr Montaj ve kullanma kılavuzu
el Οδηγίες εγκατάστασης και λειτουργίας

sv Monterings- och skötselanvisning
pl Instrukcja montażu i obsługi
ru Инструкция по монтажу и эксплуатации
uk Інструкція з монтажу та експлуатації
ro Instrucțiuni de montaj și exploatare
bg Инструкция за монтаж и експлоатация
zh 安装及操作说明

Fig. 1

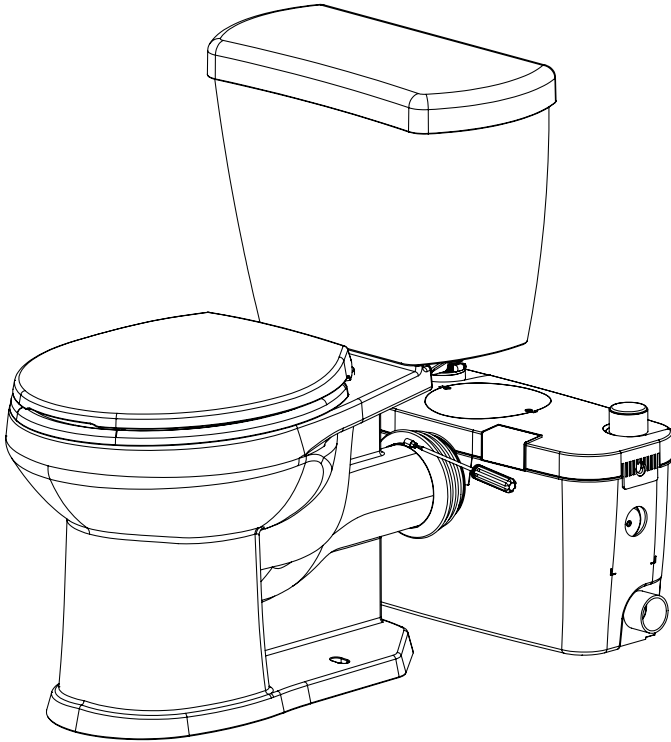
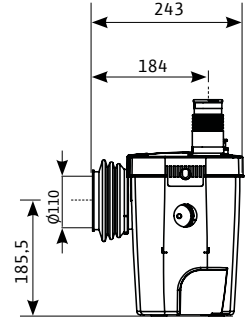
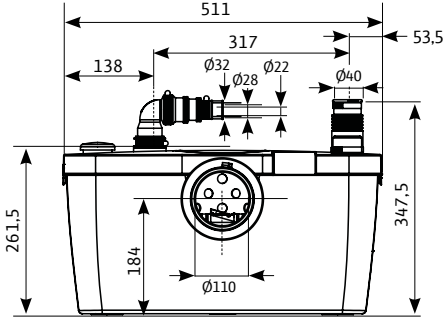


Fig. 2

HiSewlift3-15



HiSewlift3-35

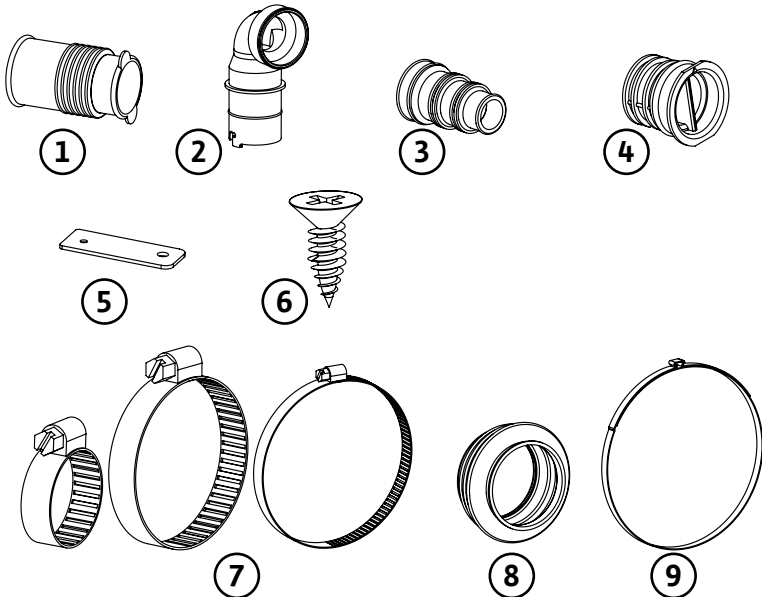
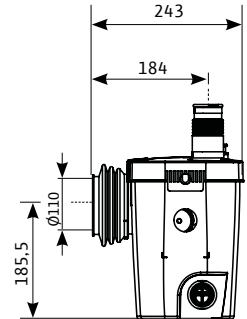
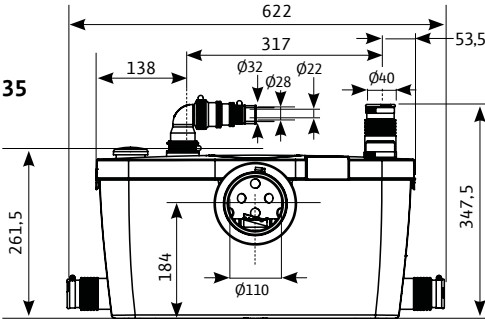


Fig. 3

HiSewlift3-135

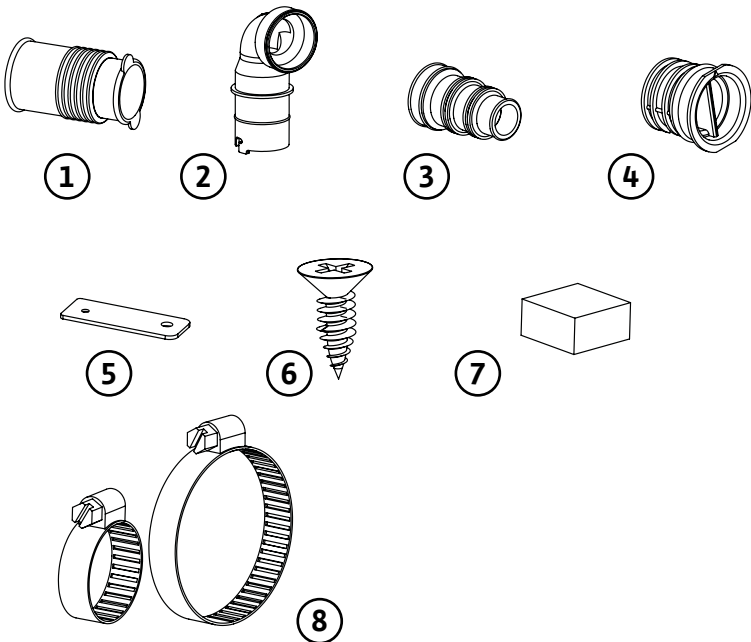
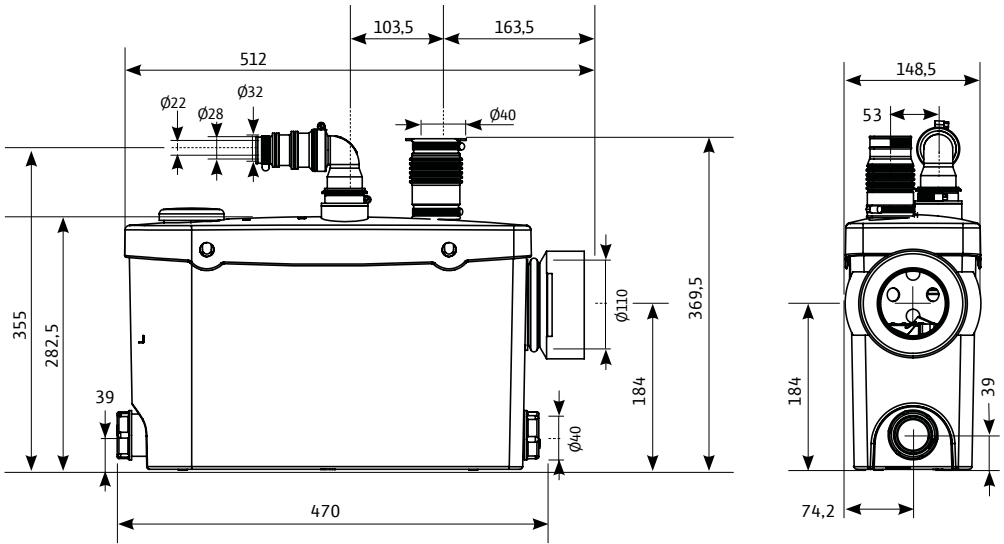


Fig. 4

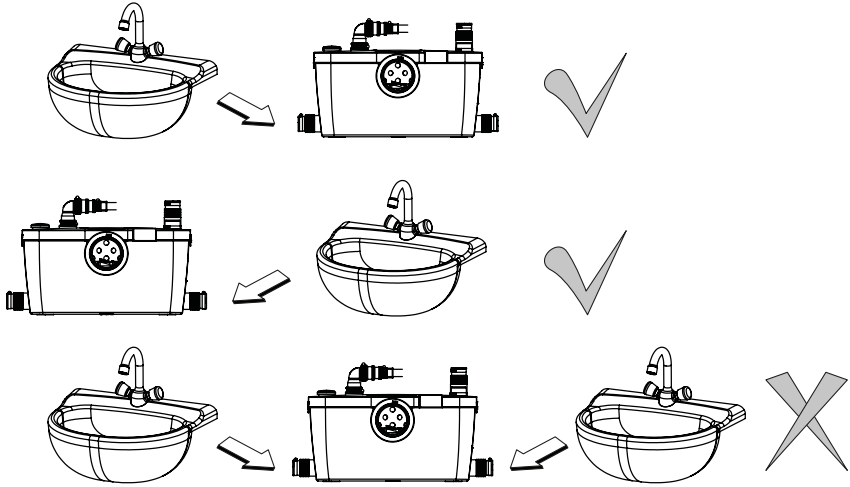


Fig. 5

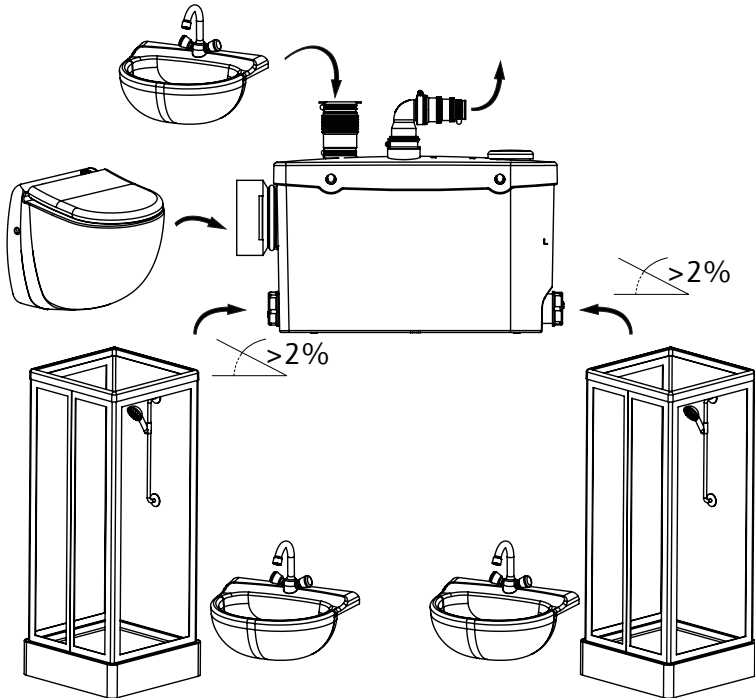


Fig. 6

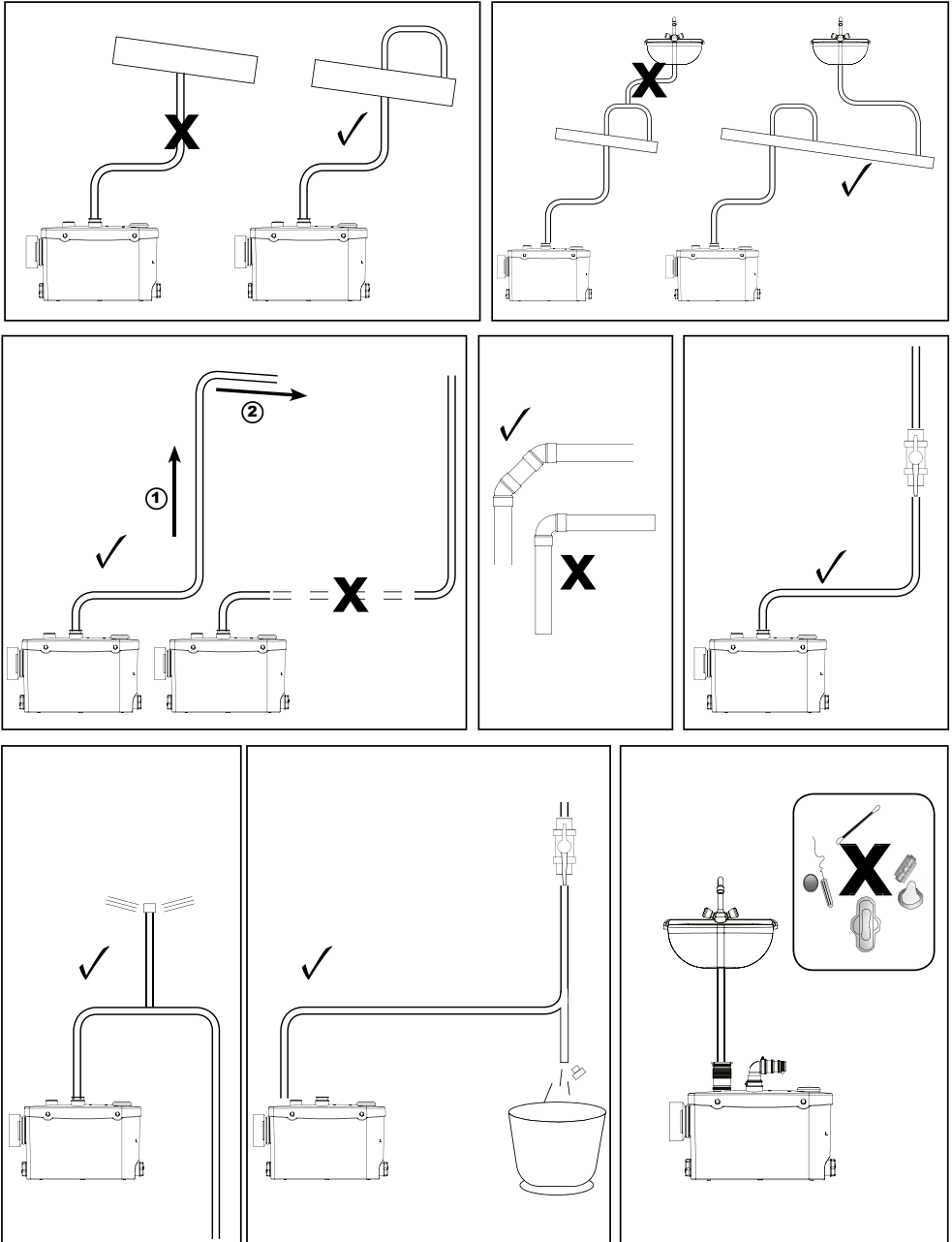


Fig. 7

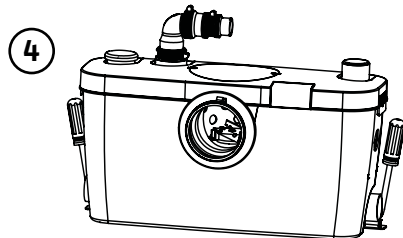
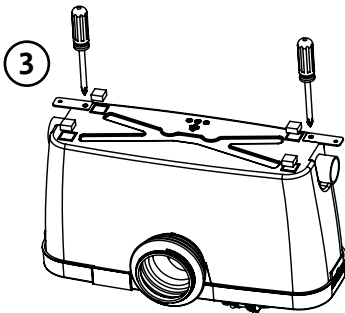
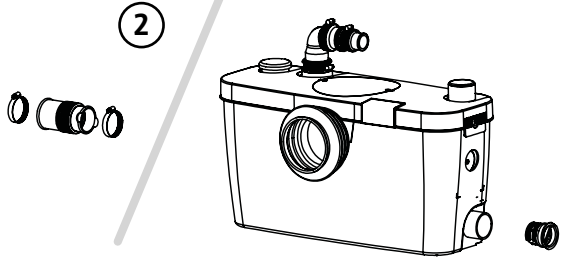
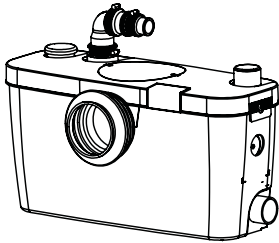
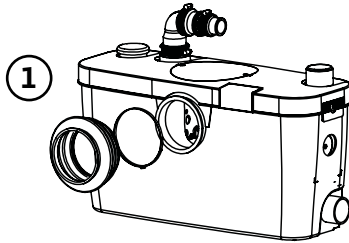
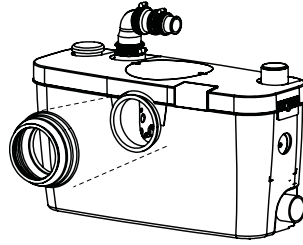
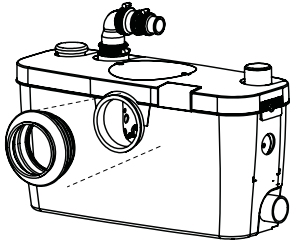


Fig.8

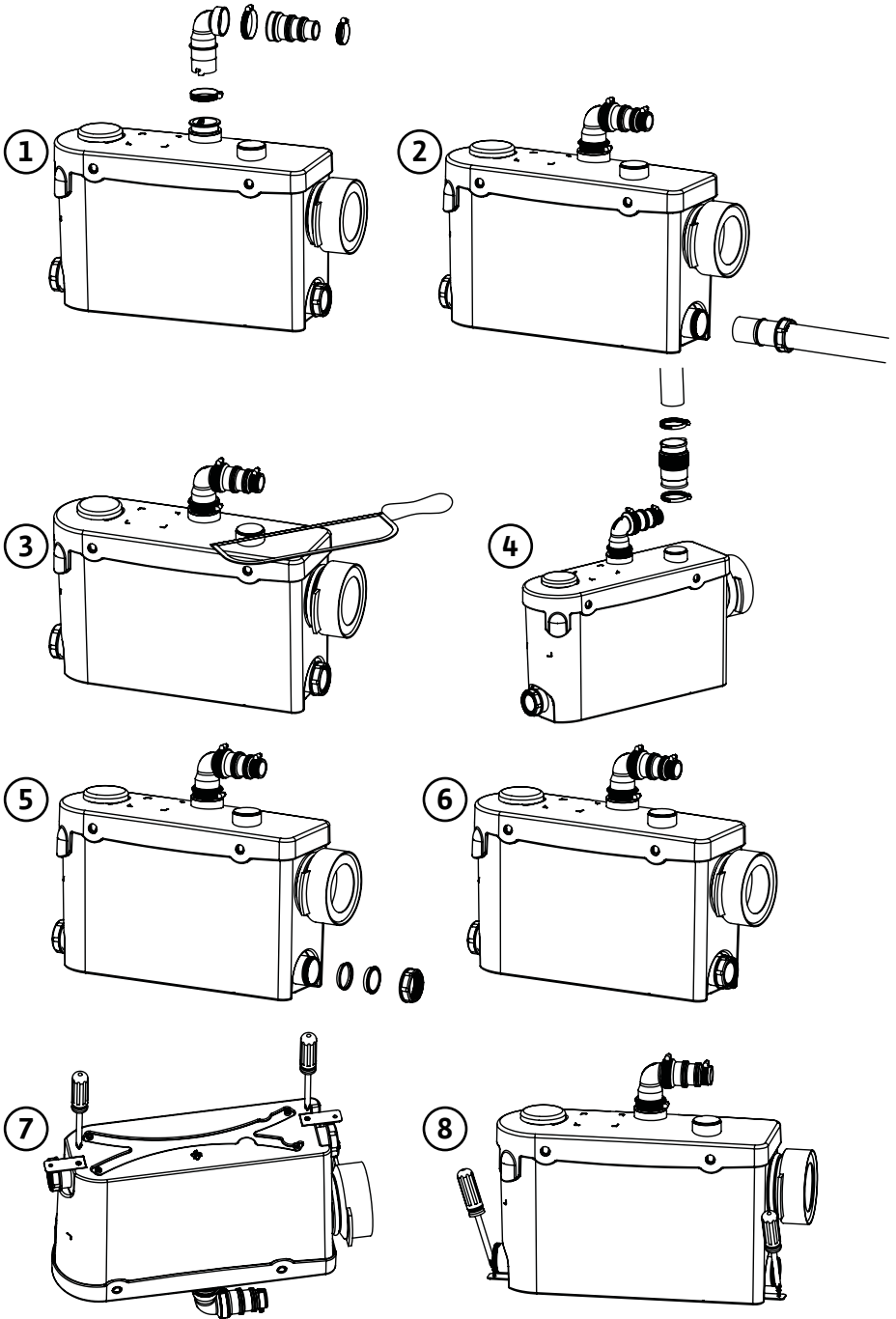
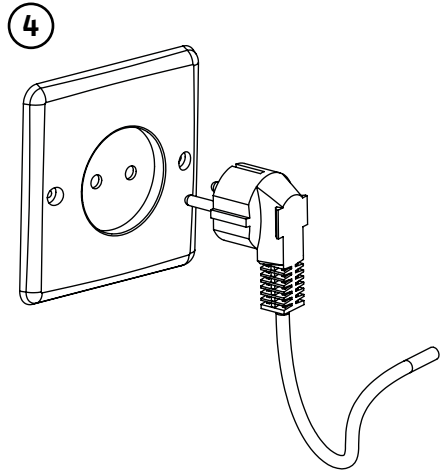
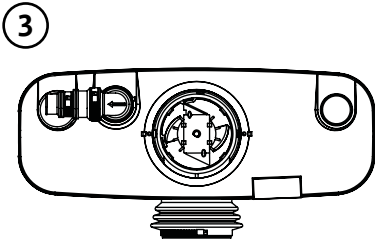
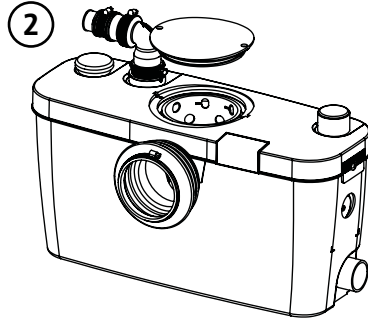
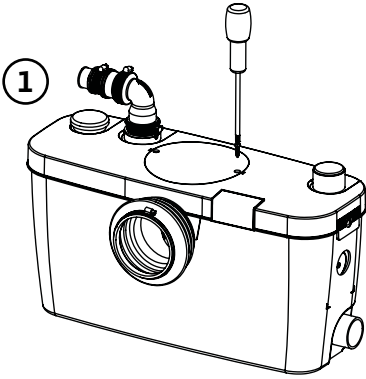


Fig. 9



1 General

1.1 About this document

The language of the original operating instructions is French. All other languages of these instructions are translations of the original operating instructions.

These installation and operating instructions are an integral part of the product. They must be kept readily available at the place where the product is installed. Strict adherence to these instructions is a precondition for the proper use and correct operation of the product.

These installation and operating instructions correspond to the relevant version of the product and the underlying safety standards valid at the time of going to print.

EC declaration of conformity:

A copy of the EC declaration of conformity is a component of these operating instructions.

If a technical modification is made on the designs named there without our agreement, this declaration loses its validity.

2 Safety

These installation and operating instructions contain important information which must be adhered to during installation, operation and maintenance. For this reason, these instructions must, without fail, be read by the service technician and the responsible specialist/operator before installation and commissioning.

It is not only the general safety instructions listed under the main point “safety” that must be adhered to but also the special safety instructions with danger symbols included under the following main points.

2.1 Symbols and signal words in the operating instructions

Symbols:



General danger symbol



Danger due to electrical voltage



NOTE

Signal words:

DANGER!

Acutely dangerous situation.

Non-observance results in death or the most serious of injuries.

WARNING!

The user can suffer (serious) injuries. ‘Warning’ implies that (serious) injury to persons is probable if this information is disregarded.

ATTENTION!

There is a risk of damaging the product/unit. ‘Caution’ implies that damage to the product is likely if this information is disregarded.



NOTE: Useful information on handling the product. It draws attention to possible problems.

Information that appears directly on the product, such as.

- Direction of rotation arrow,
 - Marks identifying connections,
 - Rating plate,
 - Warning stickers,
- must be strictly complied with and kept in legible condition.

2.2 Personnel qualifications

The installation, operating and maintenance personnel must have the appropriate qualifications for this work. Area of responsibility, terms of reference and monitoring of the personnel are to be ensured by the operator. If the personnel are not in possession of the necessary knowledge, they are to be trained and instructed. This can be accomplished if necessary by the manufacturer of the product at the request of the operator.

2.3 Danger in the event of non-observance of the safety instructions

Non-observance of the safety instructions can result in risk of injury to persons and damage to the environment and the product/unit. Non-observance of the safety instructions results in the loss of any claims to damages. In detail, non-observance can, for example, result in the following risks:

- Danger to persons due to electrical, mechanical and bacteriological factors,
- Damage to the environment due to leakage of hazardous materials,
- Property damage,
- Failure of important product/unit functions,
- Failure of required maintenance and repair procedures.

2.4 Safety consciousness on the job

The existing directives for accident prevention must be adhered to.

Danger from electrical current must be eliminated. Local directives or general directives [e.g. IEC, VDE etc.] and instructions from local energy supply companies must be adhered to.

2.5 Safety instructions for the operator

This appliance is not intended for use by persons (including children) with reduced physical, sensory or mental capabilities, or lack of experience and knowledge, unless they have been given supervision or instruction concerning use of the appliance by a person responsible for their safety.

Children should be supervised to ensure that they do not play with the appliance.

- If hot or cold components on the product/the unit lead to hazards, local measures must be taken to guard them against touching.
- Guards which protect personnel from coming into contact with moving components (e.g. the coupling) must not be removed while the product is in operation.

- Leakages (e.g. from the shaft seals) of hazardous fluids (which are explosive, toxic or hot) must be led away so that no danger to persons or to the environment arises. National statutory provisions are to be complied with.
- Danger from electrical current must be eliminated. Local directives or general directives [e.g. IEC, VDE etc.] and instructions from local energy supply companies must be adhered to.

2.6 Safety instructions for installation and maintenance work

The operator must ensure that all maintenance and installation work is carried out by authorised and qualified personnel, who are sufficiently informed from their own detailed study of the installation and operating instructions. Work on the product/unit must only be carried out when at a standstill. It is mandatory that the procedure described in the installation and operating instructions for shutting down the product/unit be complied with.

Immediately on conclusion of the work, all safety and protective devices must be put back in position and/or recommissioned.

2.7 Unauthorised modification and manufacture of spare parts

Unauthorised modification and manufacture of spare parts will impair the safety of the product/personnel and will make void the manufacturer's declarations regarding safety. Modifications to the product are only permissible after consultation with the manufacturer.

Original spare parts and accessories authorised by the manufacturer ensure safety. The use of other parts will absolve us of liability for consequential events.

2.8 Improper use

The operating safety of the supplied product is only guaranteed for conventional use in accordance with Section 4 of the operating instructions. The limit values must on no account fall under or exceed those values specified in the catalogue/data sheet.

3 Transport and intermediate storage

When you receive the equipment, check that it has not been damaged during transport. If you notice a fault, take all necessary action with the carrier within the time allowed.

- Unpack the lifting unit and recycle or dispose of the packaging in an environmentally responsible manner.
- Be sure to check the condition of the product upon delivery.



CAUTION! Storage environment may cause damage!

If the equipment is to be installed at a later date, store it in a dry place and protect it from impacts and any external stresses (humidity, frost etc.).
Temperature range for transport and storage: -30°C to $+60^{\circ}\text{C}$.

Handle the system with care so as not to damage the product before installation.

4 Applications

This device is a compact lifting unit designed for draining wastewater coming from a toilet via horizontal drainage, from a washbasin, from a shower* or from a bidet*. (*: depending on the model).

This device complies with the standard EN 12050-3 and with the European standards for electrical safety and electromagnetic compatibility.



DANGER! Risk of explosion!

Do not use this system to lift flammable or explosive liquids.

5 Product information

5.1 Type key (Fig. 1)

Example: HiSewlift 3-135	
HiSewlift	Version HiSewlift: Standard version
3	Product grade 1: Standard 3: Efficient 5: Premium
1	Front-wall installation I: Can be installed in a frame in front of the wall
3	Number of connections + toilet
5	Delivery head

5.2 Technical data

Hydraulic data	HiSewlift 3-15	HiSewlift 3-35	HiSewlift 3-I35
Maximum vertical delivery	5 m	5 m	5 m
Maximum Horizontal delivery	90 m	90 m	90 m
Maximum altitude	1000 m	1000 m	1000 m
DN of suction connection	DN40	DN40	DN40
DN of pressure connection	DN32-28-22	DN32-28-22	DN32-28-22
Number of connections			
	1 for toilet + 1	1 for toilet + 3	1 for toilet + 3
Temperature range			
Fluid temperature range	+5°C to +35°C	+5°C to +35°C	+5°C to +35°C
Ambient temperature	Max. +40°C	Max. +40°C	Max. +40°C
Electrical data			
Motor protection rating	IP 44	IP 44	IP 44
Insulation class	Class I	Class I	Class I
Frequency	50 Hz	50 Hz	50 Hz
Voltage	220/240 V	220/240 V	220/240 V
Rated current	1.9 A	1.9 A	1.9 A

5.3 Included in delivery

- Lifting system
- Operating manual

For HiSewlift 3-15: outlet elbow (x1), 3-outlet bushing (x1), clamp 32x55 (x4), clamp 25x40 (x1), clamp 20x32 (x1), hose (x1), Ty Wrap (x1), clamp 90x110 (x1), inlet elbow (x1), screw (x2), fixation strip (x2).

For HiSewlift 3-35: outlet elbow (x1), 3-outlet bushing (x1), clamp 32x55 (x8), clamp 25x40 (x1), clamp 20x32 (x1), hose (x1), Ty Wrap (x1), clamp 90x110 (x1), inlet bushing (x3), lateral inlet bushing (x1), vis(x2), fixation strip(x2).

For HiSewlift 3-I35: outlet elbow (x1), 3 outlet bushing(x1), clamp 32x55 (x4), clamp 25x40 (x1), clamp 20x32 (x1), inlet bush (x1), lateral inlet plug (x2), screw (x2), fixation strip(x2).

5.4 Description

HiSewlift 3-15 and HiSewlift 3-35 (Fig. 2)

- 1 - Bushing
- 2 - Elbow
- 3 - 3-outlet bushing
- 4 - Plug
- 5 - Fixation strip (x2)
- 6 - Screw (x2)
- 7 - Screw clamp (x2 for each part number)
- 8 - Hose
- 9 - Ty-Wrap

HiSewlift 3-I35 (Fig. 3)

- 1 - Bushing
- 2 - Elbow
- 3 - 3-outlet bushing
- 4 - Plug
- 5 - Fixation strip (x2)
- 6 - Screw (x2)
- 7 - Foam foot (x4)
- 8 - Screw clamp (x2 for each part number)

6 Description and function

6.1 Description of the product (see figures)

Compact lifting unit for domestic wastewater which cannot flow naturally into the sewer or natural outfall.

6.2 Function of the product

Automatic collection and drainage of domestic wastewater.

7 Installation and connections



DANGER! Risk of fatal injury!

Any improper installation or improper electrical connection may have fatal consequences. Danger from electrical current must be eliminated.

- Installation and electrical connection work must always be carried out by qualified technical personnel and in accordance with the applicable regulations.
- Comply with accident prevention regulations.
- Follow the instructions of the local energy supply company!
- The comminutor must be in the same room as the toilet and the other sanitary installations connected.
- The device must be easily accessible for inspection, maintenance and repair.
- The installation and functioning of your device must comply with local regulations and the standard EN 12056-4.
- To make the most of the latest developments for noise reduction included in the design of this device, it is important to:
 - Install the tank so that it is not touching the walls of the room if possible,
 - Position the tank on a completely flat surface so as not to impair the function of the anti-vibration supports,
 - Secure the drainage piping correctly, avoiding distances greater than one metre between fixation points.
- HiSewlift 3-15 and HiSewlift 3-35 (Fig. 4 and 6)
- HiSewlift 3-I35 (Fig. 5 and 6)

7.1 Hydraulic connections

- HiSewlift 3-15 and HiSewlift 3-35 (Fig. 7)
- HiSewlift 3-135 (Fig. 8)

General connection instructions

- Use flexible, braid-reinforced hose piping or rigid piping.
- The system must not bear the weight of the pipes.
- Seal the piping well using appropriate products.



NOTE: The air cushion in the connection pipe may cause problems with flow and blockage. To prevent any blockage, the inlet pipe should be purged at its highest point.

Installing the lifting unit before putting the cover back on the frame facilitates the installation and inspection of the connections.

Suction connection

- The diameter of the suction pipe must never be less than the port on the system.

7.2 Electrical connection (Fig. 9)



WARNING! Risk of electric shock!

Danger from electrical current must be eliminated.

- Have all electrical work carried out by a qualified electrician only!
- Before any electrical connection is made, the unit must be de-energised (switched off) and protected against unauthorised restarting.
- To ensure safe installation and operation, the unit must be earthed correctly with the earth terminals of the power supply.



ATTENTION! risk of damaging the product/unit!

An error in the electrical connection will damage the motor.

The power cable must never touch the piping or the system, and must be kept away from any moisture.

- Do not switch on the power supply until the electrical connections have been fully completed.
- When positioning the device, make sure that the mains power plug is accessible.
- The power supply circuit of the device must be earthed (class I) and protected by a high sensitivity residual-current device (30 mA).
- The connection must be used solely to supply power to the device.
- If the cable of this device is damaged, it must be replaced by the manufacturer or the manufacturer's customer service.
- Observe the requirements of the standard applicable in the country of use (in France, for example: NF C 15-100) governing electrical safety zones in bathrooms.

8 Commissioning

- Flush the toilet several times. The toilet bowl outlet must be free of leaks.
- Switch on the power supply to the system.
- Check that there are no leaks at the connections to the sanitary devices connected to the lifting unit.
- Check that the current consumed is less than or equal to the rated current.

9 Maintenance

All maintenance work must be carried out by authorised and qualified personnel!



WARNING! Risk of electric shock!

Danger from electrical current must be eliminated.

Before any electrical work, the unit must be DE-ENERGISE (switched off) and protected against unauthorised restarting.

In the event of prolonged absence, be sure to cut off the mains water supply to the house and protect the installation from freezing.

Cleaning/descaling

To descale and clean the lifting unit, regularly use a descaling agent specially designed to remove scale without damaging the internal components of your device.

10 Faults, causes and remedies



WARNING! Risk of electric shock!

Before any work on the system, DE-ENERGISE the unit by disconnecting the electrical supply to the system, and prevent unauthorised restarting. The indicator light being off does not mean that the pump is de-energised.

Faults	Causes	Remedies
The motor will not start	Device is not plugged in	Plug in the device
	Faulty power supply	Check the power supply
	Problem with motor or control system	Contact an approved repair technician
The motor is running with a rattling noise or is humming but not running	Motor blocked by a foreign object	Remove the foreign object
	Problem with motor or control system	Contact an approved repair technician
The device keeps stopping and starting	The connected sanitary devices are leaking	Check the upstream installations
	The non-return valve is leaking	Clean or replace the non-return valve.
The motor is running correctly but does not stop or runs for a very long time	The height or length of the drain is too great (friction loss)	Review the installation
	Hydraulic problem (clogging)	Contact an approved repair technician
The device has stopped	The device was running for too long (high temperature cut-out)	Wait for reset, then contact an approved repair technician if necessary
The motor is running jerkily and the water in the toilet bowl is going down slowly	The vent in the cover is blocked up	Unblock the vent hole
	Motor problem	Contact an approved repair technician
Turbid water flowing back into the shower (device with lateral inlets)	Shower connected too low relative to the comminutor	Review the installation
	Flaps on lateral inlets clogged	Clean the flaps, then contact an approved repair technician if necessary

If you cannot remedy the fault, please contact Wilo customer service.

11 Spare parts

All spare parts should be ordered directly from WILO customer service.
To prevent errors, always quote the data on the pump's rating plate when making an order.

The spare parts catalogue is available at: www.wilo.com.

Subject to technical modifications.

Deutsch

Auf Basis der neuen Verordnung (EU) Nr. 305/2011 des Europäischen Parlaments und des Rates vom 9. März 2011 zur Festlegung harmonisierter Bedingungen für die Vermarktung von Bauprodukten und zur Aufhebung der Richtlinie 89/106/EWG - kurz Bauproduktenverordnung (BPV) - wird der Umfang der CE-relevanten Dokumentation erhöht.

Mit Erhalt dieser CE-Dokumentation:

- erhalten Sie die CE-Kennzeichnung für das Produkt nach der BPV.
- erhalten Sie den Downloadlink für die Leistungserklärung nach der BPV:

www.wilo.com/legal/

English

Based on the new Regulation (EU) No 305/2011 of the European Parliament and of the Council of 9 March 2011 laying down harmonised conditions for the marketing of construction products and repealing Council Directive 89/106/EEC - short named Construction Products Regulation (CPR) - the scope of the CE-relevant documentation is increased.

Upon receipt of this CE-documentation:

- you receive the EC designation for the product according to the CPR.
- you receive the download link for the Declaration Of Performance according to the CPR:

www.wilo.com/legal/

Français

Basé sur le nouveau règlement (UE) n ° 305/2011 du Parlement européen et du Conseil du 9 mars 2011 établissant les conditions harmonisées pour les produits de construction et abrogeant la directive 89/106/CEE du Conseil - dit 'Règlement des Produits de Construction' (RPC) - le domaine d'application de la documentation nécessaire pour la conformité CE a évolué.

Dès réception de cette documentation pour la conformité CE:

- Le document 'Désignation CE' est fourni avec la documentation délivrée avec le produit en accord avec le RPC ;
- La 'Déclaration de Performance' en accord avec le RPC est téléchargeable à partir du lien suivant :

www.wilo.com/legal/



0197

WILO SE, Nortkirchenstraße 100, 44263 Dortmund - Germany

2014

(ref.) **2117924.01**

PrEN 12050-3:2014

Fäkalienhebeanlage zur begrenzten Verwendung

(Produktreferenzcode)

HiSewlift 3-I35

HiSewlift 3-35

HiSewlift 3-15

Entwässerung von Orten unterhalb der Rückstauenebene in Gebäuden und auf Grundstücken zur begrenzten Verwendung, um den Rücklauf in den Gebäuden zu vermeiden.

Brandverhalten	NPD
Wasserdichtheit	
- Wasserdichtheit	Keine Leckage
- Geruchsdichtheit	Keine Leckage
Wirksamkeit (Hebewirkung)	
- Förderung von Feststoffen	keine Ansammlung von Feststoffen
- Rohranschlüsse	DN 32
- Mindestlüftung	Belüftung gewährleistet
- Mindestfließgeschwindigkeit	0,7 m/s bei 30 kPa
- Freier Minstdurchgang von Feststoffen	10 mm
Mechanische Festigkeit	Keine Verformung
Geräuschpegel	≤ 70 dB(A)
Dauerhaftigkeit	
- der Wasserdichtheit und der Geruchsdichtheit	Keine Leckage
- der Hebewirkung	keine Ansammlung von Feststoffen
- der mechanischen Festigkeit	Keine Verformung
Gefährliche Substanzen	NPD



0197

WILO SE, Nortkirchenstraße 100, 44263 Dortmund - Germany

2014

(ref.) **2117924.01**

PrEN 12050-3:2014

Lifting plant for limited applications for faecal wastewater

(Product's reference code)

HiSewlift 3-I35

HiSewlift 3-35

HiSewlift 3-15

Sewage of locations below flood level for limited applications to prevent any backflow into the buildings and sites.

Reaction to fire	NPD
Watertightness	
- Watertightness	No leakage
- Odourtightness	No leakage
Effectiveness (Lifting effectiveness)	
- Pumping of solids	no accumulation of solids
- Pipe connections	DN 32
- Minimum ventilation	ventilation ensured
- Minimum flow velocity	0,7 m/s at 30 kPa
- Minimum solids free-passage	10 mm
Mechanical resistance	no deformation
Noise level	≤ 70 dB(A)
Durability	
- of watertightness & Odourtightness	No leakage
- of lifting effectiveness	no accumulation of solids
- of mechanical resistance	no deformation
Dangerous substances	NPD



0197

WILO SE, Nortkirchenstraße 100, 44263 Dortmund - Germany

2014

(ref.) **2117924.01**

PrEN 12050-3:2014

Stations de relevage à application limitée pour effluents avec matières fécales

(Code de référence produit)

HiSewlift 3-I35

HiSewlift 3-35

HiSewlift 3-15

Relevage à applications limitées sans reflux des points d'écoulement situés en dessous de la hauteur de refoulement dans les bâtiments et les terrains.

Réaction au feu:	NPD
Étanchéité à l'eau	
- Étanchéité à l'eau	aucune fuite
- Étanchéité aux odeurs	aucune fuite
Performances (de relevage)	
- Pompage de substances solides	aucune accumulation de solides
- Raccords de conduites	DN 32
- Minimum ventilation	ventilation assurée
- Vitesse d'écoulement minimum	0,7 m/s à 40 kPa
- Passage libre minimal de solides	10 mm
Résistance mécanique	aucune déformation
Niveau de bruit	≤ 70 dB(A)
Durabilité	
- de l'étanchéité à l'eau et aux odeurs	aucune fuite
- de la performance de relevage	aucune accumulation de solides
- de la résistance mécanique	aucune déformation
Substances dangereuses	NPD

EG KONFORMITÄTSERKLÄRUNG
EC DECLARATION OF CONFORMITY
DECLARATION DE CONFORMITE CE

Als Hersteller erklären wir hiermit, dass die Produkten der Baureihe
We, the manufacturer, declare that the products of the series
Nous, fabricant, déclarons que les produits de la série

HiSewlift3

(Die Seriennummer ist auf dem Typenschild des Produktes angegeben / The serial number is marked on the product site plate / Le numéro de série est inscrit sur la plaque signalétique du produit)

in der gelieferten Ausführung folgenden einschlägigen Bestimmungen entsprechen :
In their delivered state comply with the following relevant directives :
dans leur état de livraison sont conformes aux dispositions des directives suivantes :

- _ Niederspannungsrichtlinie 2006/95/EG**
- _ Low voltage 2006/95/EC**
- _ Basse tension 2006/95/CE**

- _ Elektromagnetische Verträglichkeit-Richtlinie 2004/108/EG**
- _ Electromagnetic compatibility 2004/108/EC**
- _ Compabilité électromagnétique 2004/108/CE**

und entsprechender nationaler Gesetzgebung,
and with the relevant national legislation,
et aux législations nationales les transposant,

sowie auch den Bestimmungen zu folgenden harmonisierten europäischen Normen :
comply also with the following relevant harmonized European standards :
sont également conformes aux dispositions des normes européennes harmonisées suivantes :

EN 60335-2-41

EN 55014-1+A1+A2:2011
EN 55014-2+A1+A2:2008

EN 61000-3-2+A1+A2:2009
EN 61000-3-3:2008

Dortmund,

H. HERCHENHEIN
Group Quality Manager

H. Herchenhein

Digital unterschrieben
von
holger.herchenhein@
ilo.com
Datum: 2014.09.15
09:31:08 +02'00'

wilo

WILO SE
Nortkirchenstraße 100
44263 Dortmund - Germany

N°2117923.01
(CE-A-S n°4192845)

<p align="center">(BG) - Български език ДЕКЛАРАЦИЯ ЗА СЪОТЪТСТВИЕ ЕО</p> <p>WILO SE декларира, че продуктите посочени в настоящата декларация съответстват на разпоредбите на следните европейски директиви и приелите ги национални законодателства:</p> <p>Ниско Напрежение 2006/95/ЕО ; Електромагнитна съвместимост 2004/108/ЕО</p> <p>както и на хармонизираните европейски стандарти, упоменати на предишната страница.</p>	<p align="center">(CS) - Čeština ES PROHLÁŠENÍ O SHODĚ</p> <p>WILO SE prohlašuje, že výrobky uvedené v tomto prohlášení odpovídají ustanovením níže uvedených evropských směrnic a národním právním předpisům, které je přejímají:</p> <p>Nizké Napětí 2006/95/ES ; Elektromagnetická Kompatibilita 2004/108/ES</p> <p>a rovněž splňují požadavky harmonizovaných evropských norem uvedených na předcházející stránce.</p>
<p align="center">(DA) - Dansk EF-OVERENSSTEMMELSESERKLÆRING</p> <p>WILO SE erklærer, at produkterne, som beskrives i denne erklæring, er i overensstemmelse med bestemmelserne i følgende europæiske direktiver, samt de nationale lovgivninger, der gennemfører dem:</p> <p>Lavspændings 2006/95/EF ; Elektromagnetisk Kompatibilitet 2004/108/EF</p> <p>De er ligeledes i overensstemmelse med de harmoniserede europæiske standarder, der er anført på forrige side.</p>	<p align="center">(EL) - Ελληνικά ΔΗΛΩΣΗ ΣΥΜΜΟΡΦΩΣΗΣ ΕΚ</p> <p>WILO SE δηλώνει ότι τα προϊόντα που ορίζονται στην παρούσα ευρωπαϊκή δήλωση είναι σύμφωνα με τις διατάξεις των παρακάτω οδηγιών και τις εθνικές νομοθεσίες στις οποίες έχει μεταφερθεί:</p> <p>Χαμηλής Τάσης 2006/95/ΕΚ ; Ηλεκτρομαγνητικής συμβατότητας 2004/108/ΕΚ</p> <p>και επίσης με τα εξής εναρμονισμένα ευρωπαϊκά πρότυπα που αναφέρονται στην προηγούμενη σελίδα.</p>
<p align="center">(ES) - Español DECLARACIÓN CE DE CONFORMIDAD</p> <p>WILO SE declara que los productos citados en la presenta declaración están conformes con las disposiciones de las siguientes directivas europeas y con las legislaciones nacionales que les son aplicables :</p> <p>Baja Tensión 2006/95/CE ; Compatibilidad Electromagnética 2004/108/CE</p> <p>Y igualmente están conformes con las disposiciones de las normas europeas armonizadas citadas en la página anterior.</p>	<p align="center">(ET) - Eesti keel EÜ VASTAVUSDEKLARATSIOONI</p> <p>WILO SE kinnitab, et selles vastavustunnistuses kirjeldatud tooted on kooskõlas alljärgnevat Euroopa direktiivide säetega ning riiklike seadusandlustega, mis nimetatud direktiivide üle on võtnud:</p> <p>Madalpingeseadmed 2006/95/EÜ ; Elektromagnetilist Ühilduvust 2004/108/EÜ</p> <p>Samuti on tooted kooskõlas eelmisel leheküljel ära toodud harmoneeritud Euroopa standarditega.</p>
<p align="center">(FI) - Suomen kieli EY-VAATIMUSTENMUKAISUUSVAKUUTUS</p> <p>WILO SE vakuuttaa, että tässä vakuutuksessa kuvutat tuotteet ovat seuraavien eurooppalaisten direktiivien määräysten sekä niihin sovellettavien kansallisten lakiasetusten mukaisia:</p> <p>Matala Jännite 2006/95/EY ; Sähkömagneettinen Yhteensopivuus 2004/108/EY</p> <p>Lisäksi ne ovat seuraavien edellisellä sivulla mainittujen yhdenmukaistettujen eurooppalaisten normien mukaisia.</p>	<p align="center">(HR) - Hrvatski EZ IZJAVA O SUKLADNOSTI</p> <p>WILO SE izjavljuje da su proizvodi navedeni u ovoj izjavi u skladu sa sljedećim prihvaćenim evropskim direktivama i nacionalnim zakonima:</p> <p>Smjernica o niskom naponu 2006/95/EZ ; Elektromagnetna kompatibilnost - smjernica 2004/108/EZ</p> <p>i usklađenim evropskim normama navedenim na prethodnoj stranici.</p>
<p align="center">(HU) - Magyar EK-MEGFELELŐSÉGI NYILATKOZAT</p> <p>WILO SE kijelenti, hogy a jelen megfelelőségi nyilatkozatban megjelölt termékek megfelelnek a következő európai irányelvek előírásainak, valamint azok nemzeti jogrendbe átültetett rendelkezéseinek:</p> <p>Alacsony Feszültségű 2006/95/EK ; Elektromágneses összeférhetőségre 2004/108/EK</p> <p>valamint az előző oldalon szereplő, harmonizált európai szabványoknak.</p>	<p align="center">(IT) - Italiano DICHIARAZIONE CE DI CONFORMITÀ</p> <p>WILO SE dichiara che i prodotti descritti nella presente dichiarazione sono conformi alle disposizioni delle seguenti direttive europee nonché alle legislazioni nazionali che le traspongono :</p> <p>Bassa Tensione 2006/95/CE ; Compatibilità Elettromagnetica 2004/108/CE</p> <p>E sono pure conformi alle disposizioni delle norme europee armonizzate citate a pagina precedente.</p>
<p align="center">(LT) - Lietuvių kalba EB ATITIKTIES DEKLARACIJA</p> <p>WILO SE pareiškia, kad šioje deklaracijoje nurodyti gaminiai atitinka šių Europos direktyvų ir jas perkeliančių nacionalinių įstatymų nuostatus:</p> <p>Žema įtampa 2006/95/EB ; Elektromagnetinis Suderinamumas 2004/108/EB</p> <p>ir taip pat harmonizuotas Europas normas, kurios buvo cituotos ankstesniame puslapyje.</p>	<p align="center">(LV) - Latviešu valoda EK ATBILSTĪBAS DEKLARACIJA</p> <p>WILO SEdeklarē, ka izstrādājumi, kas ir nosaukti šajā deklarācijā, atbilst šeit uzskaitīto Eiropas direktīvu nosacījumiem, kā arī atbilstīgu valstu likumiem, kuros tie ir ietverti:</p> <p>Zemsprieguma 2006/95/EK ; Elektromagnētiskās Saderības 2004/108/EK</p> <p>un saskaņotajiem Eiropas standartiem, kas minēti iepriekšējā lappusē.</p>
<p align="center">(MT) - Malti DIKJARAZZJONI KE TA' KONFORMITÀ</p> <p>WILO SE jiddikjara li l-prodotti speċifikati f'din id-dikjarazzjoni huma konformi mad-direttivi Ewropej li jsegwu u mal-leġislazzjonijiet nazzjonali li japplikawhom:</p> <p>Vultaġġ Baxx 2006/95/KE ; Kompatibilità Elettromanjetika 2004/108/KE</p> <p>kif ukoll man-normi Ewropej armonizzati li jsegwu imsemmija fil-paġna precedenti.</p>	<p align="center">(NL) - Nederlands EG-VERKLARING VAN OVEREENSTEMMING</p> <p>WILO SE verklaart dat de in deze verklaring vermelde producten voldoen aan de bepalingen van de volgende Europese richtlijnen evenals aan de nationale wetgevingen waarin deze bepalingen zijn overgenomen:</p> <p>Laagspannings 2006/95/EG ; Elektromagnetische Compatibiliteit 2004/108/EG</p> <p>De producten voldoen eveneens aan de geharmoniseerde Europese normen die op de vorige pagina worden genoemd.</p>

<p style="text-align: center;">(NO) - Norsk EU-OVERENSSTEMMELSESERKLÆING</p> <p>WILO SE erklærer at produktene nevnt i denne erklæringen er i samsvar med følgende europeiske direktiver og nasjonale lover:</p> <p>EG-Lavspenningsdirektiv 2006/95/EG ; EG-EMV-Elektromagnetisk kompatibilitet 2004/108/EG</p> <p>og harmoniserte europeiske standarder nevnt på forrige side.</p>	<p style="text-align: center;">(PL) - Polski DEKLARACJA ZGODNOŚCI WE</p> <p>WILO SE oświadcza, że produkty wymienione w niniejszej deklaracji są zgodne z postanowieniami następujących dyrektyw europejskich i transponującymi je przepisami prawa krajowego:</p> <p>Niskich Napięć 2006/95/WE ; Kompatybilności Elektromagnetycznej 2004/108/WE</p> <p>oraz z następującymi normami europejskich zharmonizowanymi podanymi na poprzedniej stronie.</p>
<p style="text-align: center;">(PT) - Português DECLARAÇÃO CE DE CONFORMIDADE</p> <p>WILO SE declara que os materiais designados na presente declaração obedecem às disposições das diretivas europeias e às legislações nacionais que as transcrevem :</p> <p>Baixa Voltagem 2006/95/CE ; Compatibilidade Electromagnética 2004/108/CE</p> <p>E obedecem também às normas europeias harmonizadas citadas na página precedente.</p>	<p style="text-align: center;">(RO) - Română DECLARAȚIE DE CONFORMITATE CE</p> <p>WILO SE declară că produsele citate în prezenta declarație sunt conforme cu dispozițiile directivelor europene următoare și cu legislațiile naționale care le transpun :</p> <p>Joasă Tensiune 2006/95/CE ; Compatibilitate Electromagnetică 2004/108/CE</p> <p>și, de asemenea, sunt conforme cu normele europene armonizate citate în pagina precedentă.</p>
<p style="text-align: center;">(RU) - русский язык Декларация о соответствии Европейским нормам</p> <p>WILO SE заявляет, что продукты, перечисленные в данной декларации о соответствии, отвечают следующим европейским директивам и национальным предписаниям:</p> <p>Директива ЕС по низковольтному оборудованию 2004/95/EC ; Директива ЕС по электромагнитной совместимости 2004/108/EC</p> <p>и гармонизированным европейским стандартам, упомянутым на предыдущей странице.</p>	<p style="text-align: center;">(SK) - Slovenčina ES VYHLÁSENIE O ZHODE</p> <p>WILO SE čestne prehlasuje, že výrobky ktoré sú predmetom tejto deklarácie, sú v súlade s požiadavkami nasledujúcich európskych direktív a odpovedajúcich národných legislatívnych predpisov:</p> <p>Nízkonapäťové zariadenia 2006/95/ES ; Elektromagnetickú Kompatibilitu 2004/108/ES</p> <p>ako aj s harmonizovanými európskych normami uvedenými na predchádzajúcej strane.</p>
<p style="text-align: center;">(SL) - Slovenščina ES-IZJAVA O SKLADNOSTI</p> <p>WILO SE izjavlja, da so izdelki, navedeni v tej izjavi, v skladu z določili naslednjih evropskih direktiv in z nacionalnimi zakonodajami, ki jih vsebujejo:</p> <p>Nizka Napetost 2006/95/ES ; Elektromagnetno Združljivostjo 2004/108/ES</p> <p>pa tudi z usklajenimi evropskih standardi, navedenimi na prejšnji strani.</p>	<p style="text-align: center;">(SV) - Svenska EG-FÖRSÄKRAN OM ÖVERENSSTÄMMELSE</p> <p>WILO SE intygar att materialet som beskrivs i följande intyg överensstämmer med bestämmelserna i följande europeiska direktiv och nationella lagstiftningar som inför dem:</p> <p>Lågspännings 2006/95/EG ; Elektromagnetisk Kompatibilitet 2004/108/EG</p> <p>Det överensstämmer även med följande harmoniserade europeiska standarder som nämnts på den föregående sidan.</p>
<p style="text-align: center;">(TR) - Türkçe CE UYGUNLUK TEYID BELGESİ</p> <p>WILO SEbu belgede belirtilen ürünlerin aşağıdaki Avrupa yönetmeliklerine ve ulusal kanunlara uygun olduğunu beyan etmektedir:</p> <p>Alçak Gerilim Yönetmeliği 2006/95/AT ; Elektromanyetik Uyumluluk Yönetmeliği 2004/108/AT</p> <p>ve önceki sayfada belirtilen uyumlaştırılmış Avrupa standartlarına.</p>	

Wilo – International (Subsidiaries)

Argentina

WILO SALMSON
Argentina S.A.
C1295ABI Ciudad
Autónoma de Buenos Aires
T + 54 11 4361 5929
info@salmson.com.ar

Australia

WILO Australia Pty Limited
Murrarie, Queensland,
4172
T +61 7 3907 6900
chris.dayton@wilo.com.au

Austria

WILO Pumpen
Österreich GmbH
2351 Wiener Neudorf
T +43 507 507-0
office@wilo.at

Azerbaijan

WILO Caspian LLC
1014 Baku
T +994 12 5962372
info@wilo.az

Belarus

WILO Bel OOO
220035 Minsk
T +375 17 2535363
wilo@wilo.by

Belgium

WILO SA/NV
1083 Ganshoren
T +32 2 4823333
info@wilo.be

Bulgaria

WILO Bulgaria Ltd.
1125 Sofia
T +359 2 9701970
info@wilo.bg

Brazil

WILO Brasil Ltda
Jundiaí – São Paulo – Brasil
ZIP Code: 13.213-105
T + 55 11 2923 (WILO) 9456
wilo@wilo-brasil.com.br

Canada

WILO Canada Inc.
Calgary, Alberta T2A 5L4
T +1 403 2769456
bill.lowe@wilo-na.com

China

WILO China Ltd.
101300 Beijing
T +86 10 58041888
wiloobj@wilo.com.cn

Croatia

Wilo Hrvatska d.o.o.
10430 Samobor
T +38 51 3430914
wilo-hrvatska@wilo.hr

Czech Republic

WILO CS, s.r.o.
25101 Cestlice
T +420 234 098711
info@wilo.cz

Denmark

WILO Danmark A/S
2690 Karlslunde
T +45 70 253312
wilo@wilo.dk

Estonia

WILO Eesti OÜ
12618 Tallinn
T +372 6 509780
info@wilo.ee

Finland

WILO Finland OY
02330 Espoo
T +358 207401540
wilo@wilo.fi

France

WILO S.A.S.
78390 Bois d'Arcy
T +33 1 30050930
info@wilo.fr

Great Britain

WILO (U.K.) Ltd.
Burton Upon Trent
DE14 2WJ
T +44 1283 523000
sales@wilo.co.uk

Greece

WILO Hellas AG
14569 Anixi (Attika)
T +302 10 6248300
wilo.info@wilo.gr

Hungary

WILO Magyarország Kft
2045 Törökbálint
(Budapest)
T +36 23 889500
wilo@wilo.hu

India

WILO India Mather and Platt
Pumps Ltd.
Pune 411019
T +91 20 27442100
services@matherplatt.com

Indonesia

WILO Pumps Indonesia
Jakarta Selatan 12140
T +62 21 7247676
citrawilo@cbn.net.id

Ireland

WILO Ireland
Limerick
T +353 61 227566
sales@wilo.ie

Italy

WILO Italia s.r.l.
20068 Peschiera Borromeo
(Milano)
T +39 25538351
wilo.italia@wilo.it

Kazakhstan

WILO Central Asia
050002 Almaty
T +7 727 2785961
info@wilo.kz

Korea

WILO Pumps Ltd.
618-220 Gangseo, Busan
T +82 51 950 8000
wilo@wilo.co.kr

Latvia

WILO Baltic SIA
1019 Riga
T +371 6714-5229
info@wilo.lv

Lebanon

WILO LEBANON SARL
Jdeideh 1202 2030
Lebanon
T +961 1 888910
info@wilo.com.lb

Lithuania

WILO Lietuva UAB
03202 Vilnius
T +370 5 2136495
mail@wilo.lt

Morocco

WILO MAROC SARL
20600 CASABLANCA
T +212 (0) 5 22 66 09
24/28
contact@wilo.ma

The Netherlands

WILO Nederland b.v.
1551 NA Westzaan
T +31 88 9456 000
info@wilo.nl

Norway

WILO Norge AS
0975 Oslo
T +47 22 804570
wilo@wilo.no

Poland

WILO Polska Sp. z o.o.
05-506 Lesznówola
T +48 22 7026161
wilo@wilo.pl

Portugal

Bombas Wilo-Salmson
Portugal Lda.
4050-040 Porto
T +351 22 2080350
bombas@wilo.pt

Romania

WILO Romania s.r.l.
077040 Com. Chiajna
Jud. Ilfov
T +40 21 3170164
wilo@wilo.ro

Russia

WILO Rus ooo
123592 Moscow
T +7 495 7810690
wilo@wilo.ru

Saudi Arabia

WILO ME – Riyadh
Riyadh 11465
T +966 1 4624430
wshoula@watanaiind.com

Serbia and Montenegro
WILO Beograd d.o.o.
11000 Beograd
T +381 11 2851278
office@wilo.rs

Slovakia

WILO CS s.r.o., org. Zložka
83106 Bratislava
T +421 2 33014511
info@wilo.sk

Slovenia

WILO Adriatic d.o.o.
1000 Ljubljana
T +386 1 5838130
wilo.adriatic@wilo.si

South Africa

Salmson South Africa
1610 Edenvale
T +27 11 6082780
errol.cornelius@
salmson.co.za

Spain

WILO Ibérica S.A.
28806 Alcalá de Henares
(Madrid)
T +34 91 8797100
wilo.iberica@wilo.es

Sweden

WILO Sverige AB
35246 Växjö
T +46 470 727600
wilo@wilo.se

Switzerland

EMB Pumpen AG
4310 Rheinfelden
T +41 61 83680-20
info@emb-pumpen.ch

Taiwan

WILO Taiwan Company Ltd.
Sanhong Dist., New Taipei
City 24159
T +886 2 2999 8676
nelson.wu@wilo.com.tw

Turkey

WILO Pompa Sistemleri
San. ve Tic. A.Ş.,
34956 İstanbul
T +90 216 2509400
wilo@wilo.com.tr

Ukraine

WILO Ukraine t.o.w.
01033 Kiew
T +38 044 2011870
wilo@wilo.ua

United Arab Emirates

WILO Middle East FZE
Jebel Ali Free Zone-South
PO Box 262720 Dubai
T +971 4 880 91 77
info@wilo.ae

USA

WILO USA LLC
Rosemont, IL 60018
T +1 866 945 6872
info@wilo-usa.com

Vietnam

WILO Vietnam Co Ltd.
Ho Chi Minh City, Vietnam
T +84 8 38109975
nkminh@wilo.vn

wilo

Pioneering for You

WILO SE
Nortkirchenstraße 100
D-44263 Dortmund
Germany
T +49(0)231 4102-0
F +49(0)231 4102-7363
wilo@wilo.com
www.wilo.com