

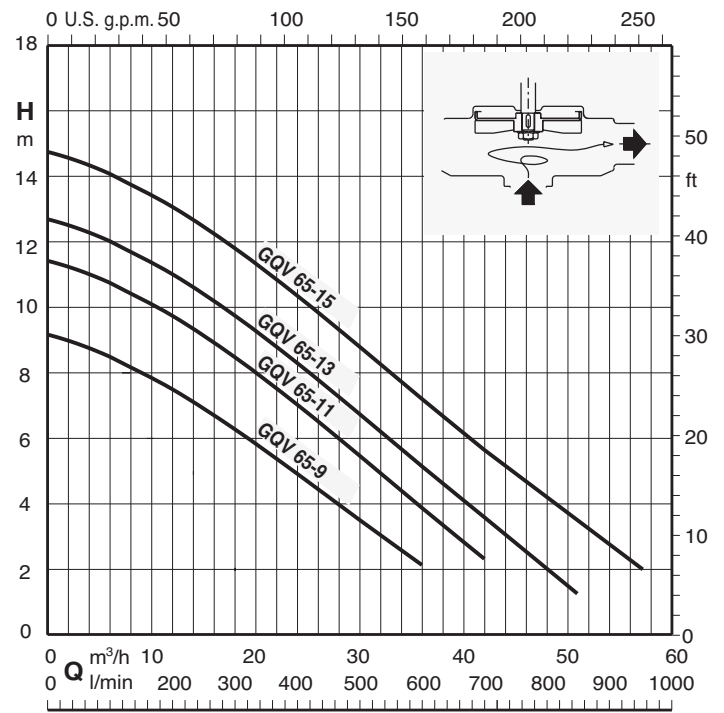
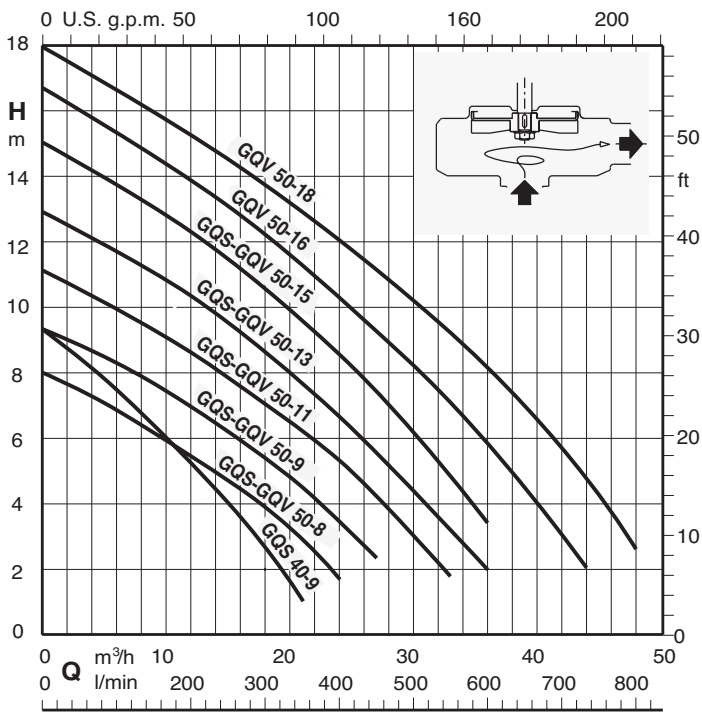
GQV, GQS



(patented system)



Coverage chart $n \approx 2900$ rpm



Submersible sewage and drainage pumps

Construction

Single-impeller submersible pumps, with free-flow (vortex) impeller.

GQS: with threaded vertical delivery port G 1 1/2" or G 2".

GQV: with threaded horizontal delivery port G 2" or G 2 1/2" and flanged DN 50 or DN 65.

Double mechanical shaft seal with interposed oil chamber, to protect against dry-running.

Applications

For civil and industrial wastewater that is not aggressive to the pump materials, for dirty water even with solids with a diameter of 40, 50, 65 mm.

Emptying of flooded rooms or tanks.

Extraction of water from ponds, streams or pits and for rainwater collection.

Operating conditions

Liquid temperature up to 35° C.

Steam pH: 6-11.

Maximum immersion depth: 5 m.

Minimum immersion depth:

- 200 mm for GQS 40
- 275 mm for GQS, GQV 50).
- 355 mm for GQV 65).

Continuous duty (with submerged motor).

Motor

2-pole induction motor, 50Hz (n ≈ 2900 1/min).

GQS, GQV: three-phase 230V ± 10%
400V ± 10%

Cable: H07RN-F, 4G1 mm2, length 10 m, without plug.

GQSM, GQVM: single-phase 230V ± 10%

with float switch and thermal protector.

Incorporated capacitor

Cable: H07RN-F, 3G1 mm2, length 10 m, with plug CEI-UNEL 47166.

Insulation class F.

Protection IP X8 (for continuous immersion).

Dry winding with triple moisture-resistant impregnation (double for GQS 40).

Constructed in accordance with EN 60034-1, EN 60335-1, EN 60335-2-41.

Special features on request

Other voltages.

Frequency 60 Hz (as per 60 Hz data sheet).

Other mechanical seal.

Cable length 20 m.

Motor set up for operation with inverter.

Three-phase pumps with built-in switch and float.

Designation

Example: GQSM 40-9

GQ = Series

S = Horizontal Vortex impeller V = Vertical Vortex impeller

M = Single-phase (without three-phase indication)

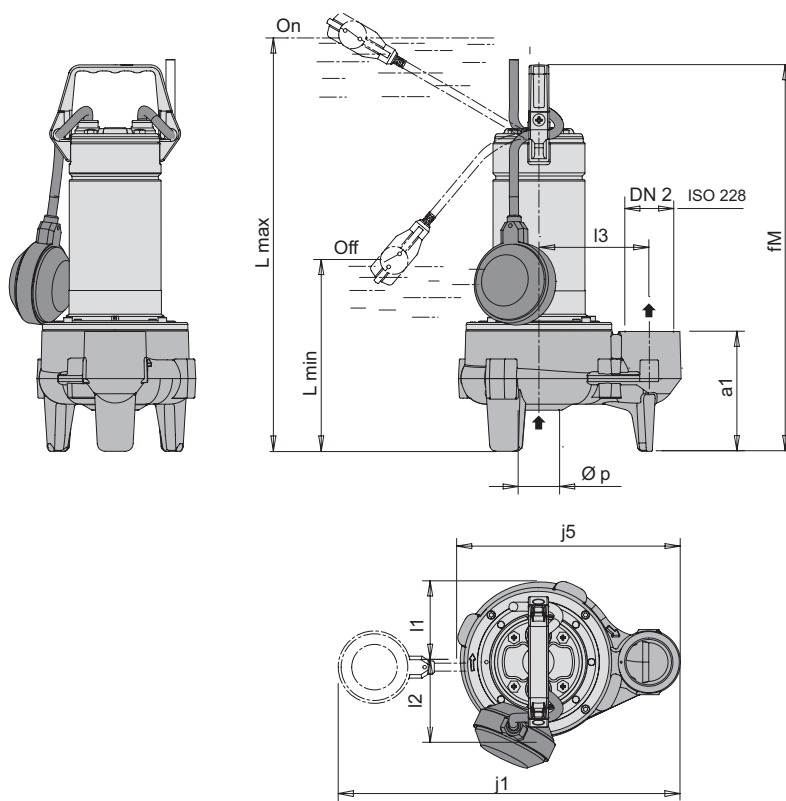
40 = Free passage diameter in mm

9 = Total head in m indoors

Materials

Components	Materials
Pump casing	Cast iron GJL 200 EN 1561
Impeller	Cast iron GJL 200 EN 1561, Steel 1.4301 EN 10088 (AISI 304) for GQS 40
motor jacket	Chrome-nickel steel 1.4301 EN 10088 (AISI 304)
Jacket cover	Chrome-nickel steel 1.4301 EN 10088 (AISI 304)
Casing cover	Chrome-nickel steel 1.4301 EN 10088 (AISI 304)
Handle	Polypropylene (with frame made of 1.4301 EN 10088 (AISI 304))
Shaft	Steel 1.4301 EN 10088 (AISI 304), Steel 1.4305 EN 10088 (AISI 303) per GQS 40
Upper mechanical seal	Ceramic / Carbon / NBR
Lower mechanical seal	Ceramic / Carbon / NBR
Seal lubrication oil	Oil for food/pharmaceutical machinery

Dimensions and weights



TYPE	ISO 228	mm							kg
	DN2	a1	fM	j5	l1	l2	l5	p	Weight
GQS 40-9	G1 1/2	120	385	222	78	81	110	40	10

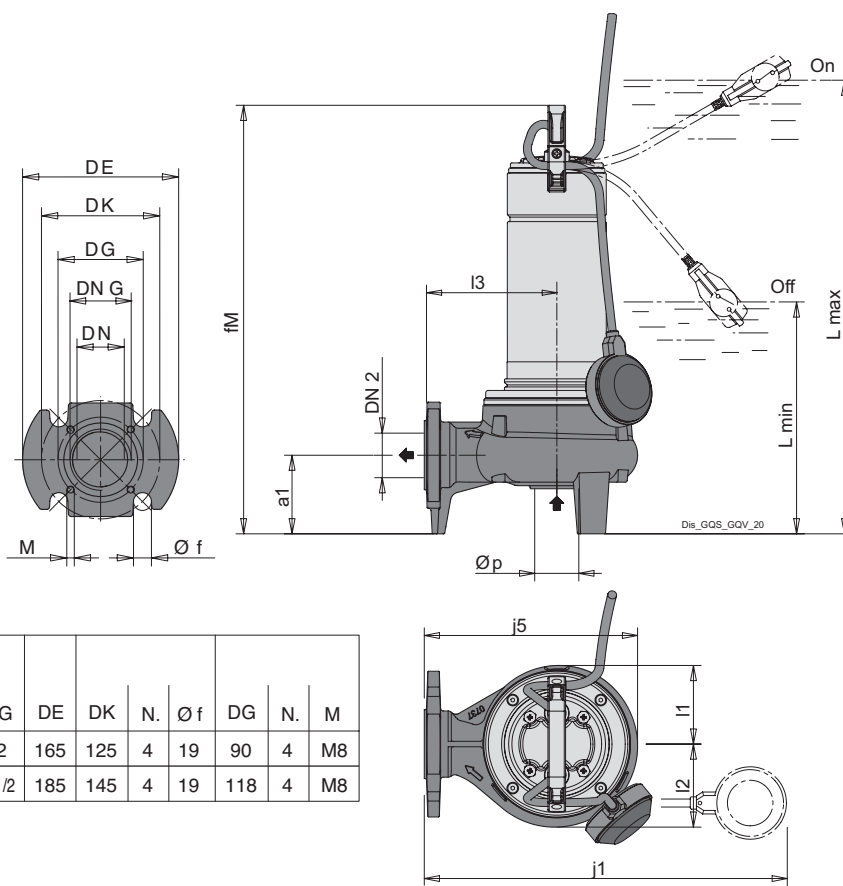
TYPE	ISO 228	mm										kg
	DN2	a1	fM	j1	j5	l1	l2	l5	Lmax	Lmin	p	Weight
GQSM 40-9	G1 1/2	120	385	410	222	78	81	110	460	200	40	10.9

TYPE	ISO 228	mm							kg
	DN2	a1	fM	j5	l1	l2	l5	p	Weight
GQS 50-8	G 2	145	460	264	89	94	130	50	14.8
GQS 50-9	G 2	145	460	264	89	94	130	50	15
GQS 50-11	G 2	145	485	264	89	94	130	50	15.8
GQS 50-13	G 2	145	505	264	89	94	130	50	17.8
GQS 50-15	G 2	145	505	264	89	94	130	50	19.3

TYPE	ISO 228	mm										kg
	DN2	a1	fM	j1	j5	l1	l2	l5	Lmax	Lmin	p	Weight
GQSM 50-8	G 2	145	460	452	264	89	94	130	535	275	50	15.8
GQSM 50-9	G 2	145	460	452	264	89	94	130	535	275	50	16
GQSM 50-11	G 2	145	485	452	264	89	94	130	560	300	50	18.1
GQSM 50-13	G 2	145	505	452	264	89	94	130	580	320	50	19.2
GQSM 50-15	G 2	145	535	452	264	89	94	130	610	350	50	21.3

weights With cable length: 10 m

Dimensions and weights



DN	DN G	DE	DK	N.	Ø f	DG	N.	M
50	G 2	165	125	4	19	90	4	M8
65	G 2 1/2	185	145	4	19	118	4	M8

TYPE	DN2	mm								kg
		a1	fM	l1	l2	l5	l5	p	s	Weight
GQV 50-8	G 2 (DN50)	90	460	89	94	150	242	50	19 (M8)	15
GQV 50-9	G 2 (DN50)	90	460	89	94	150	242	50	19 (M8)	15.2
GQV 50-11	G 2 (DN50)	90	485	89	94	150	242	50	19 (M8)	16
GQV 50-13	G 2 (DN50)	90	505	89	94	150	242	50	19 (M8)	18
GQV 50-15	G 2 (DN50)	90	505	89	94	150	242	50	19 (M8)	19.8
GQV 50-16	G 2 (DN50)	90	592	89	94	150	242	50	19 (M8)	-
GQV 50-18	G 2 (DN50)	90	642	89	94	150	242	50	19 (M8)	-
GQV 65-9	G 2 1/2 (DN65)	110	540	100	105	150	253	65	19 (M8)	20.2
GQV 65-11	G 2 1/2 (DN65)	110	540	100	105	150	253	65	19 (M8)	21.6
GQV 65-13	G 2 1/2 (DN65)	110	621	99.4	104.6	150	253	65	19 (M8)	-
GQV 65-15	G 2 1/2 (DN65)	110	671	99.4	104.4	150	253	65	19 (M8)	-

TYPE	DN2	mm										kg	
		a1	fM	j1	l1	l2	l5	l5	Lmax	Lmin	p	s	Weight
GQVM 50-8	G 2 (DN50)	90	460	430	89	94	150	242	535	275	50	19 (M8)	16
GQVM 50-9	G 2 (DN50)	90	460	430	89	94	150	242	535	275	50	19 (M8)	16.2
GQVM 50-11	G 2 (DN50)	90	485	430	89	94	150	242	560	300	50	19 (M8)	17.4
GQVM 50-13	G 2 (DN50)	90	505	430	89	94	150	242	580	320	50	19 (M8)	19.4
GQVM 50-15	G 2 (DN50)	90	535	430	89	94	150	242	610	350	50	19 (M8)	21.5
GQVM 65-9	G 2 1/2 (DN65)	110	540	430	100	105	150	253	615	355	65	19 (M8)	21.7
GQVM 65-11	G 2 1/2 (DN65)	110	570	430	100	105	150	253	645	385	65	19 (M8)	24.2

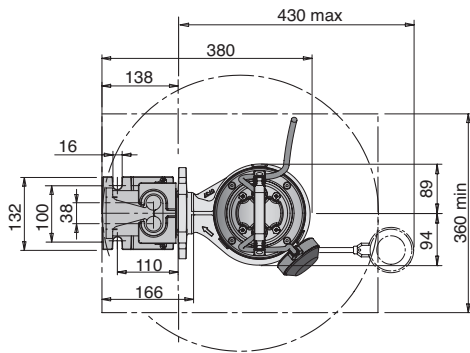
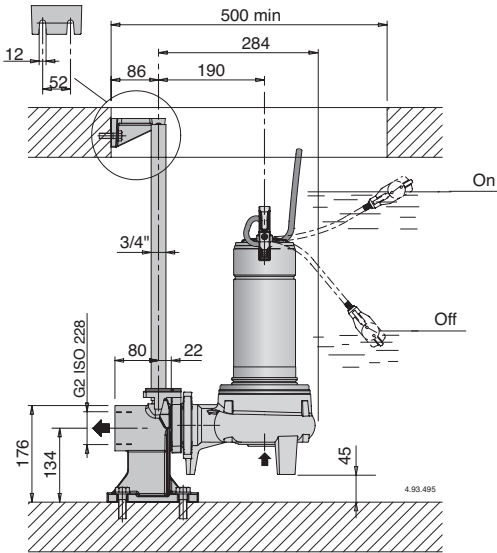
weights With cable length: 10 m

GQV, GQS

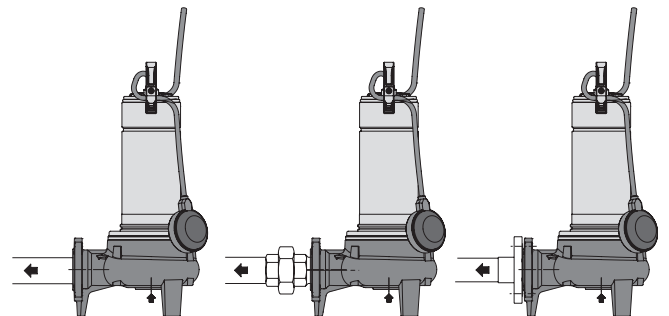
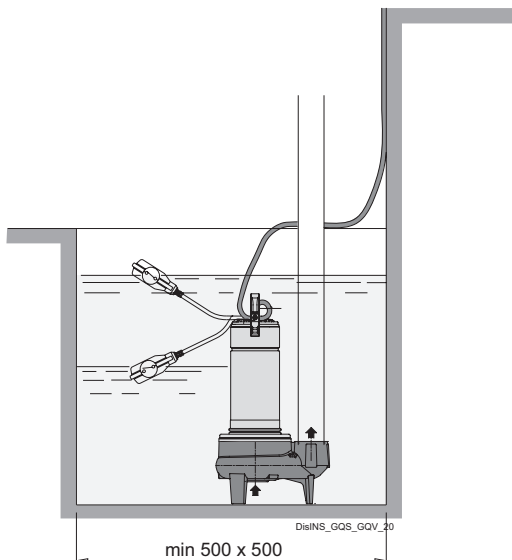
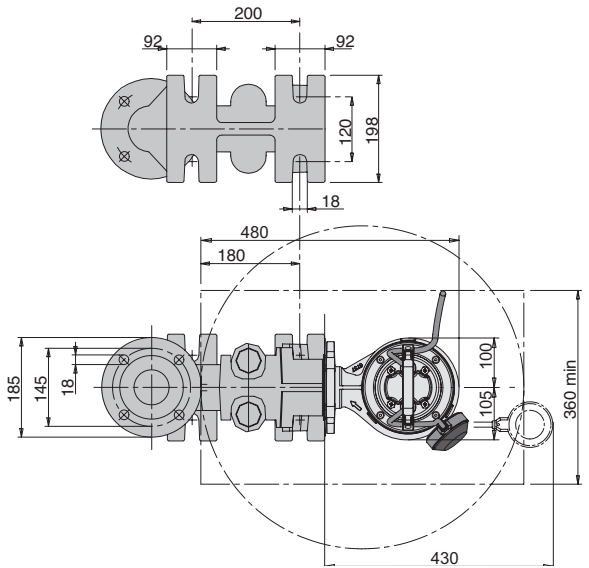
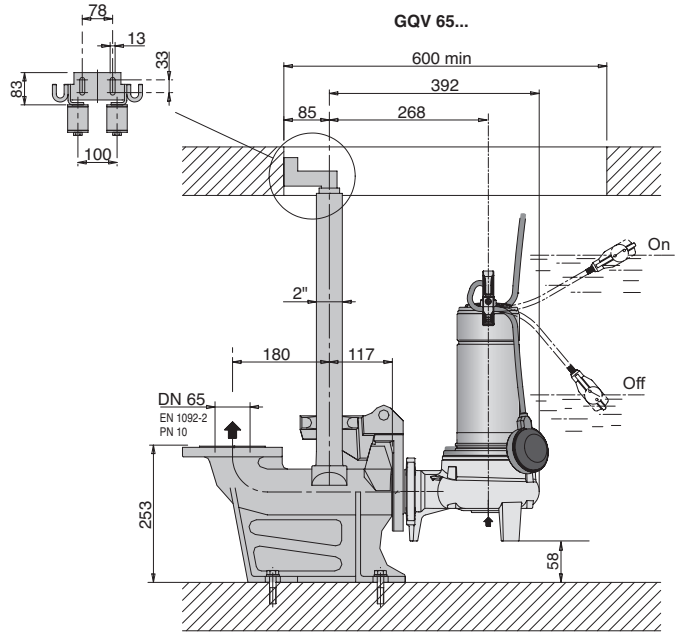


Examples of installations

GQV 50...



GQV 65...



Pump with threaded ports: pipes screwed into the ports
 Pump with threaded ports: pipes with union couplings (locally available)
 Pompa con bocca flangiata: tubo con controflangia