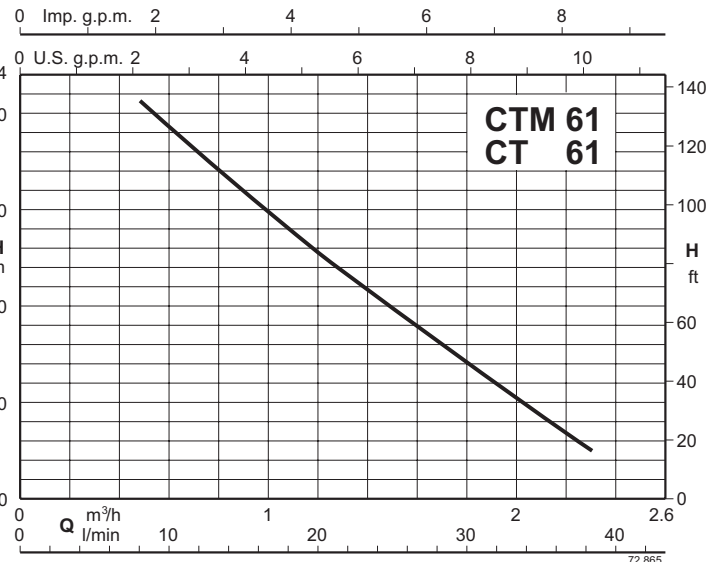
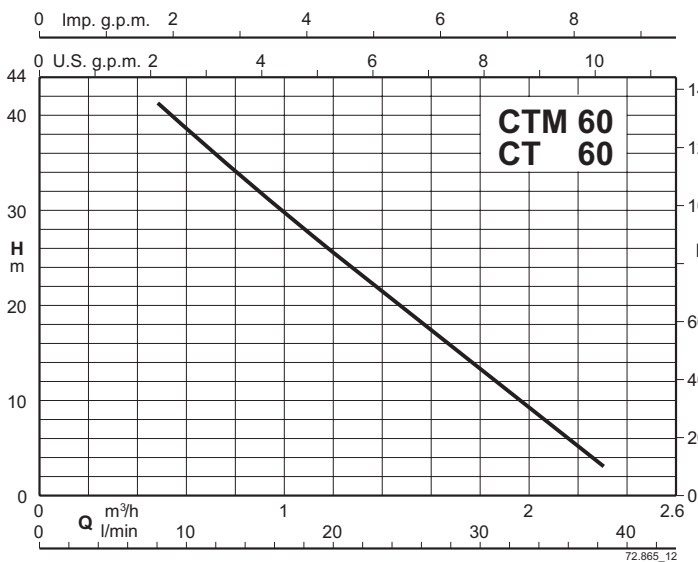


CT



Coverage chart  $n \approx 2900$  rpm



## Peripheral pumps

## Construction

Peripheral close coupled electropumps  
 Compact, patented construction with singlepiece motor casing and pump-side wall.  
 Protected against water entering the motor from outside.  
 CT: version with pump casing in cast iron.  
 B-CT 61: version with bronze pump body.  
 I-CT: version with pump casing in Stainless steel.  
 The pumps are supplied fully painted.

## Applications

For clean liquids without abrasives, without suspended solids, non-explosive, non-aggressive for the pump materials.  
 Per aumentare la pressione disponibile da una rete di distribuzione (osservare le prescrizioni locali).  
 For the reduced dimensions, these pumps are very well suitable to be mounted in cooling and air-conditioning machines and equipments, circulation.

## Operating conditions

Liquid temperature up to 60 °C.  
 Ambient temperature up to 40° C.  
 Total suction lift up to 7 m.  
 Continuous duty. (S3 60% for three-phase).

## Motor

2-pole induction motor, 50 Hz (n ≈ 2900 rpm).  
**CT:** three-phase 230/400 V ± 10%.  
**CTM:** single-phase 230 V ± 10%, with thermal protector.  
 Capacitor inside the terminal box.  
 Insulation class F.  
 Protection IP54  
**IE2 efficiency class for single-phase motors.**  
**IE2 efficiency class for three-phase motors**  
 Constructed in accordance with EN 60034-1;  
 EN 60335-1, EN 60335-2-41.

## Special features on request

Other voltages.  
 Frequency 60 Hz (as per 60 Hz data sheet).  
 Special mechanical seal

## Designation

BCTM 61  
 B = Bronze version (without Cast Iron version indication)  
 I = Stainless steel version (without Cast Iron version indication)  
 CT = Series  
 M = Singlephase version (no indication: threephase)  
 61 = Nominal impeller diameter  
 /A = It refers to a revision

## Materials

Component	CT	BCT 61	ICT 61
Pump casing	Cast iron GJL 200 EN 1561	Bronze CC480K EN 1982	Cr-Ni steel Cr-Ni-Mo 1.4401 EN 10088 (AISI 316)
Casing cover	Brass CW617N EN 12167	Brass CW617N EN 12167	Brass CW617N EN 12167
Impeller	Brass CW617N EN 12167	Brass CW617N EN 12167	Brass CW617N EN 12167
Shaft	Steel 1.4104 EN 10088 (AISI 430F)	Steel 1.4104 EN 10088 (AISI 430F)	Steel 1.4104 EN 10088 (AISI 430F)
Mechanical seal	Carbon - Ceramic - NBR	Carbon - Ceramic - NBR	Carbon - Ceramic - NBR

## Coverage chart n ≈ 2900 rpm

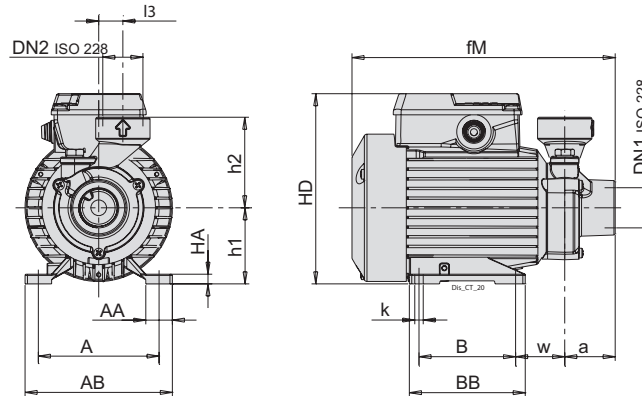
### Three-phase

Model		230V 400V P2				Q = Flow									
		A	kW	HP	P1	m³/h	l/min	0	0,48	0,6	0,75	0,96	1,2	1,5	1,89
-	CT 60/A	1,9	1,1	0,33	0,45		48	41	38,5	35,5	31	25,5	19	11	3
BCT, ICT	CT 61/A	1,9	1,1	0,33	0,45		48	41	38,5	35,5	31	25,5	19	11	3

### Single-phase

Model		230V P2 P1				Q = Flow									
		A	kW	HP	kW	m³/h	l/min	0	0,48	0,6	0,75	0,96	1,2	1,5	1,89
-	CTM 60/A	2,5	0,3	0,4	0,55		48	41	38,5	35,5	31	25,5	19	11	3
BCTM, ICTM	CTM 61/A	2,5	0,3	0,4	0,55		48	41	38,5	35,5	31	25,5	19	11	3

## Dimensions and weights

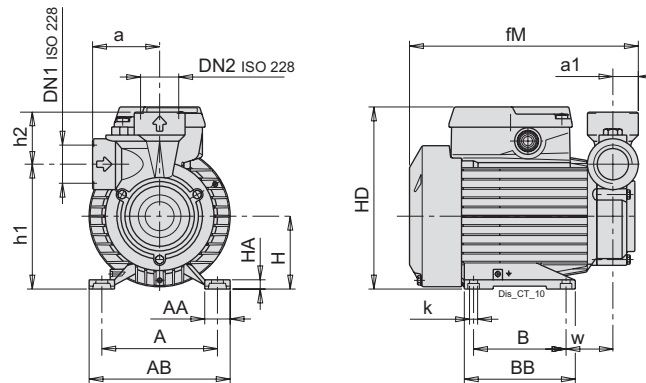


### Three-phase

TYPE	ISO 228		mm														kg
	DN1	DN2	a	A	AA	AB	B	BB	fM	h1	h2	HA	HD	K	l5	w	Weight
CT 60/A	G 1	G 1	42	100	22	122	80	96	223	63	75	8	158	7	20	40.5	4.6

### Single-phase

TYPE	ISO 228		mm														kg
	DN1	DN2	a	A	AA	AB	B	BB	fM	h1	h2	HA	HD	K	l5	w	Weight
CTM 60/A	G 1	G 1	42	100	22	122	80	96	223	63	75	8	158	7	20	40.5	5



### Three-phase

TYPE	ISO 228		mm														kg	
	DN1	DN2	a	A	a1	AA	AB	B	BB	fM	H	h1	h2	HA	HD	K	w	Weight
CT 61/A	G 1	G 1	58	100	22.5	22	122	80	96	203	63	108	45	8	158	7	40.5	4.7
BCTM 61/A	G 1	G 1	58	100	22.5	22	122	80	96	203	63	108	45	8	158	7	40.5	4.8
ICTM 61	G 1	G 1	58	100	22.5	22	122	80	96	203	63	108	45	8	158	7	40.5	4.8

### Single-phase

TYPE	ISO 228		mm														kg	
	DN1	DN2	a	A	a1	AA	AB	B	BB	fM	H	h1	h2	HA	HD	K	w	Weight
CTM 61/A	G 1	G 1	58	100	22.5	22	122	80	96	203	63	108	45	8	158	7	40.5	5.1
BCTM 61/A	G 1	G 1	58	100	22.5	22	122	80	96	203	63	108	45	8	158	7	40.5	5.1
ICTM 61	G 1	G 1	58	100	22.5	22	122	80	96	203	63	108	45	8	158	7	40.5	5.1