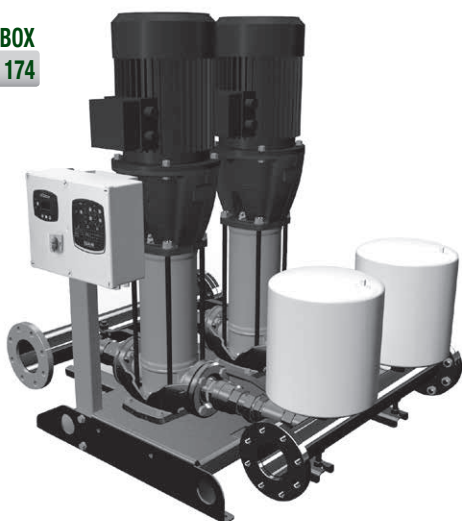


2 NKV 10/15/20 WITH E.BOX

PRESSURE BOOSTER SETS WITH TWO VERTICAL AXIS MULTISTAGE CENTRIFUGAL PUMPS



TECHNICAL DATA

Line voltage: 400V three phase.

Voltage of electric pump: 400V three phase.

Power frequency: 50-60 Hz.

Installation: vertical only.

Operating range: from 4 to 58 m³/h.

Pumped liquid temperature range: from 0 °C to + 80 °C.

Maximum ambient temperature: 40°C.

Max pressure: 14bar.

Pumped liquid: clean, free of solids.

Pressure control range: from 3 to 14 bar.

Protection class: IP55

IE2 motors as standard from 0,75 kW to 5,5 kW - IE3 ≥ 7,5 kW

APPLICATIONS

NKV E-BOX sets have been designed and produced to meet the needs of the modern engineering solutions of civil or industrial systems. Their characteristic features are versatility of use and extremely quiet operation.

CONSTRUCTION FEATURES

HYDRAULIC SECTION

2 NKV 15 - NKV 20 vertical multistage electric pumps.

AISI 304 stainless steel impellers, AISI 304 stainless steel base liner, Si/Si cartridge seal, stiff joint motor-pump coupling.

External ventilation cooled normalised three phase asynchronous electric motor.

Galvanised steel base supporting the pumps, the hydraulic section, and the electric control panel.

Suction and delivery manifolds in AISI 304 STAINLESS STEEL, complete with blind flange.

Isolator valves on the suction and delivery of each pump.

Check valves on the delivery of each pump.

No. 1 18 litre membrane expansion vessel for each pump.

ELECTRICAL SECTION

Supplied in an IP 55 protection class self-extinguishing thermoplastic material box, the control panel protects the electric pumps from abnormal conditions such as: overload and overtemperature (with automatic reset), short circuit (with fuses - Plus model only), pump current surges (amperometric protection), abnormal voltage, dry run, quick starts, pressure sensor fault, or inconsistency of the external protection commands.

Front panel components:

- General disconnecter with padlockable door lock.
- AUT-0-MAN operation selection pushbuttons.
- Alarm RESET pushbutton.
- Display for all models.
- Operation, stop, alarm notification lamps.

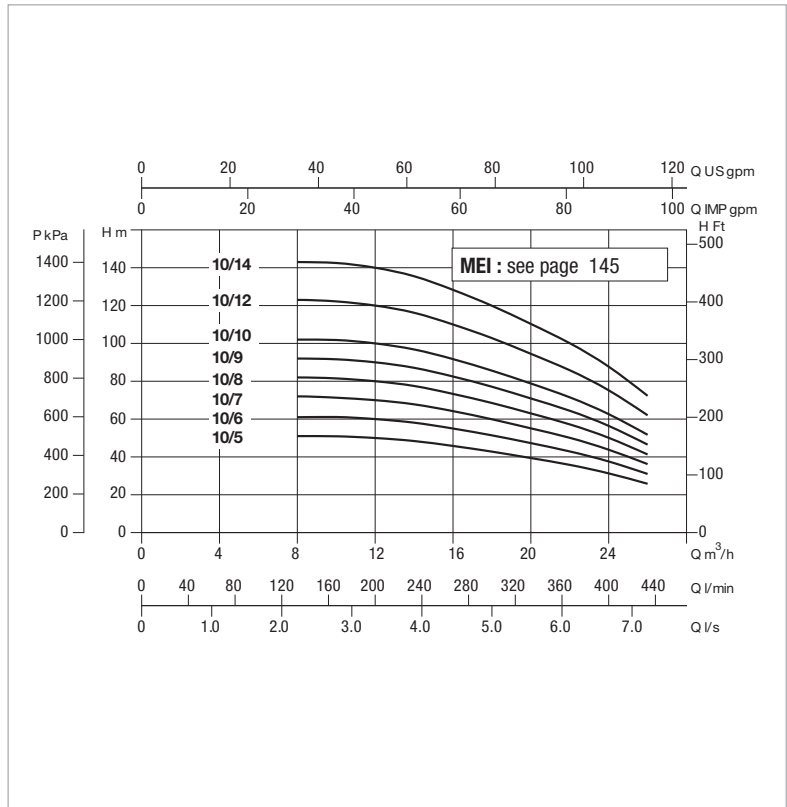
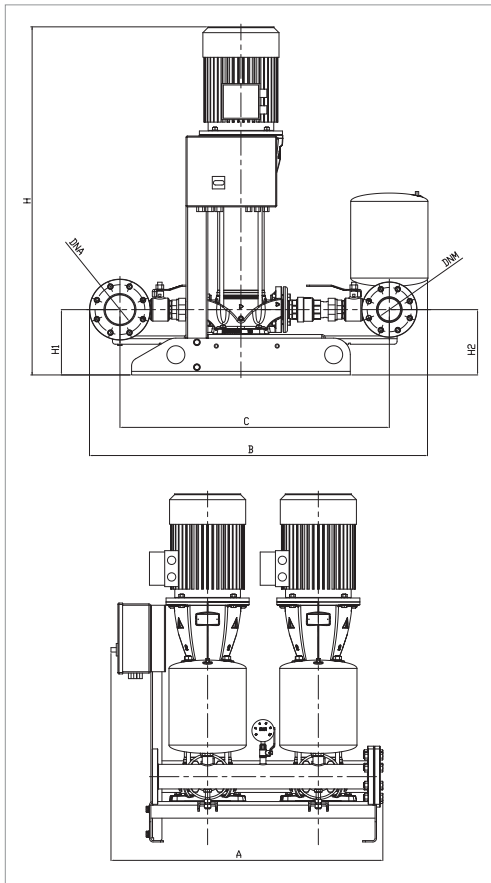
Control panel components:

- Electronic control card with protection fuses and contactors.
- Power input connection terminals.
- Dry run or overpressure pressure switch connection terminals (optional).
- Alarm notification clean contacts (voltage free).
- Function selection mini dip switch (pressure transmitter or pressure switches, standard or additional tanks).

The sets are supplied in a sturdy cardboard packaging on wooden pallet and instruction leaflet with electric diagram.

2 NKV 10 - RESIDENTIAL/INDUSTRIAL PRESSURE BOOSTER SETS

Pumped liquid temperature range: from -15 °C to +70 °C - Maximum ambient temperature: +40 °C - Max flow rate: 26 m³/h



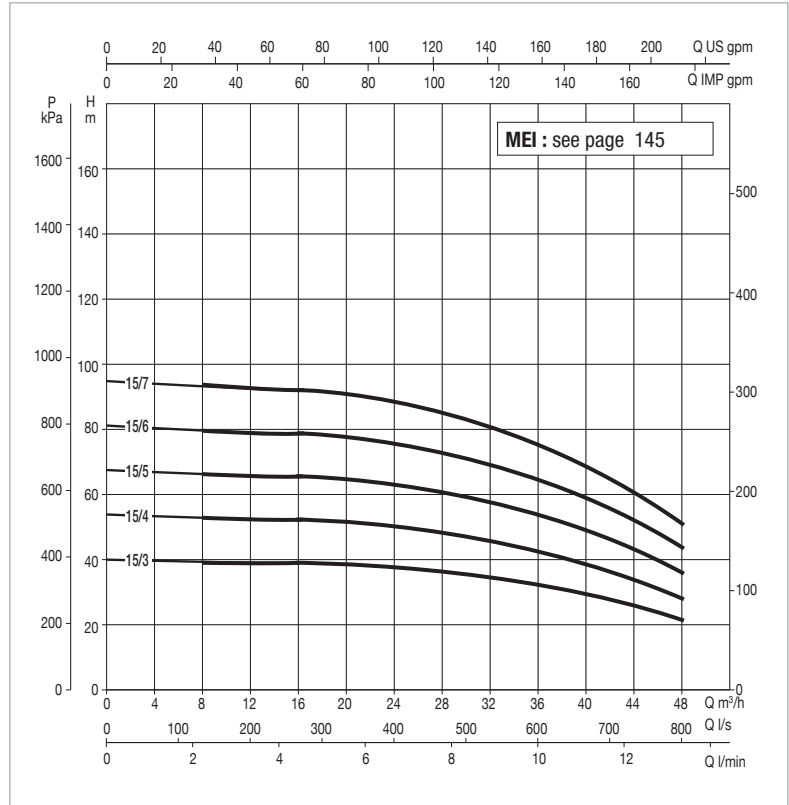
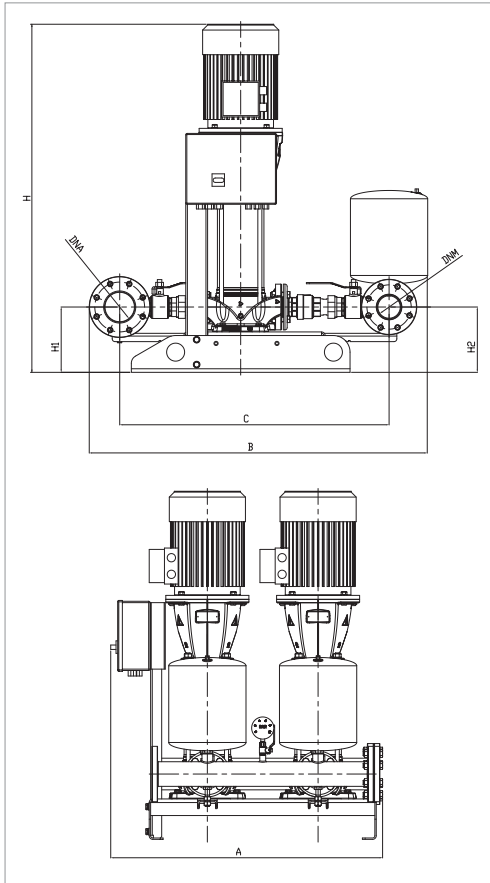
The performance curves are based on kinematic viscosity values = 1 mm²/s and density equal to 1000 kg/m³. Curve tolerance according to ISO 9906.
Overall performance taking into account TWO pumps working at the same time.

MODEL	POWER INPUT	P2 NOMINAL		In A	CONTROL PANEL MODEL	MAXIMUM FLOW RATE m ³ /h	MAX OBTAINABLE PRESSURE BAR	STANDARD PRESSURE BAR
		kW	hp					
2 NKV 10/5 T E-BOX 400/50	3 x 400 50 Hz	2x2,2	2x3	2x4,7	E-BOX 2G T 12A 400/50-60	26	5,5	4,5
2 NKV 10/6 T E-BOX 400/50	3 x 400 50 Hz	2x2,2	2x3	2x4,7	E-BOX 2G T 12A 400/50-60	26	6	5
2 NKV 10/7 T E-BOX 400/50	3 x 400 50 Hz	2x3	2x4	2x5,8	E-BOX 2G T 12A 400/50-60	26	7	6
2 NKV 10/8 T E-BOX 400/50	3 x 400 50 Hz	2x3	2x4	2x5,8	E-BOX 2G T 12A 400/50-60	26	8	7
2 NKV 10/9 T E-BOX 400/50	3 x 400 50 Hz	2x3	2x4	2x5,8	E-BOX 2G T 12A 400/50-60	26	9	8
2 NKV 10/10 T E-BOX 400/50	3 x 400 50 Hz	2x4	2x5,5	2x7,6	E-BOX 2G T 12A 400/50-60	26	10	9
2 NKV 10/12 T E-BOX 400/50	3 x 400 50 Hz	2x4	2x5,5	2x7,6	E-BOX 2G T 12A 400/50-60	26	12	11
2 NKV 10/14 T E-BOX 400/50	3 x 400 50 Hz	2x5,5	2x7,5	2x11	E-BOX 2G T 12A 400/50-60	26	14	13

MODEL	A	B	C	H	H1	H2	DNA	DNM	WEIGHT	PACKING (wxhxd)
2 NKV 10/5 T E-BOX 400/50	853	1060	875	960	236	236	2" 1/2	2" 1/2	238	1000x1400x2200
2 NKV 10/6 T E-BOX 400/50	853	1060	875	993	236	236	2" 1/2	2" 1/2	239	1000x1400x2200
2 NKV 10/7 T E-BOX 400/50	853	1060	875	1073	236	236	2" 1/2	2" 1/2	259	1000x1400x2200
2 NKV 10/8 T E-BOX 400/50	853	1060	875	1106	236	236	2" 1/2	2" 1/2	261	1000x1400x2200
2 NKV 10/9 T E-BOX 400/50	853	1060	875	1139	236	236	2" 1/2	2" 1/2	263	1000x1400x2200
2 NKV 10/10 T E-BOX 400/50	853	1060	875	1187	236	236	2" 1/2	2" 1/2	282	1000x1400x2200
2 NKV 10/12 T E-BOX 400/50	853	1060	875	1253	236	236	2" 1/2	2" 1/2	286	1000x1400x2200
2 NKV 10/14 T E-BOX 400/50	853	1060	875	1449	236	236	2" 1/2	2" 1/2	342	1000x1400x2200

2 NKV 15 - RESIDENTIAL/INDUSTRIAL PRESSURE BOOSTER SETS

Pumped liquid temperature range: from -15 °C to +70 °C - Maximum ambient temperature: +40 °C - Max flow rate: 48 m³/h



The performance curves are based on kinematic viscosity values = 1 mm²/s and density equal to 1000 kg/m³. Curve tolerance according to ISO 9906.

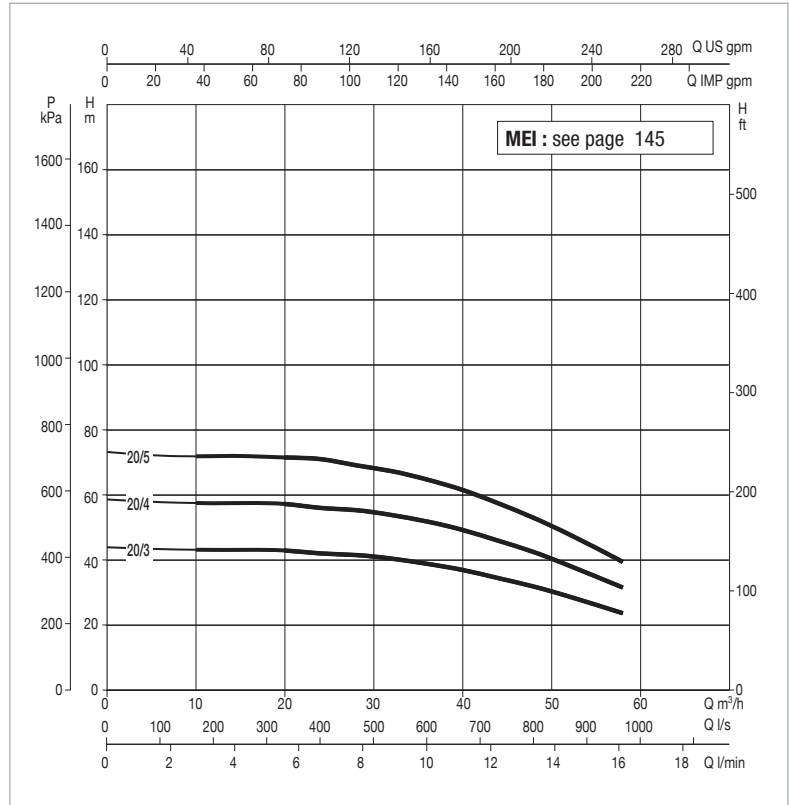
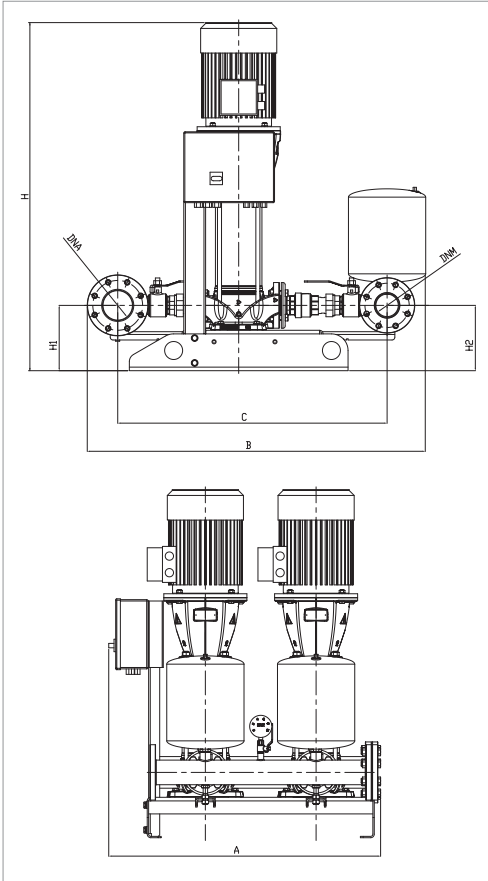
Overall performance taking into account TWO pumps working at the same time.

MODEL	POWER INPUT	P2 NOMINAL		In A	CONTROL PANEL MODEL	MAXIMUM FLOW RATE m ³ /h	MAX OBTAINABLE PRESSURE BAR	STANDARD PRESSURE BAR
		kW	hp					
2 NKV 15/3 T E-BOX 400/50	3 x 400 50 Hz	2x3	2x4	5,8	E-BOX 2G T 12A 400/50-60	48	4	3,5
2 NKV 15/4 T E-BOX 400/50	3 x 400 50 Hz	2x4	2x5.5	7,6	E-BOX 2G T 12A 400/50-60	48	5	4
2 NKV 15/5 T E-BOX 400/50	3 x 400 50 Hz	2x4	2x5.5	7,6	E-BOX 2G T 12A 400/50-60	48	6,5	5
2 NKV 15/6 T E-BOX 400/50	3 x 400 50 Hz	2x5.5	2x7.5	11	E-BOX 2G T 12A 400/50-60	48	7,5	6,5
2 NKV 15/7 T E-BOX 400/50	3 x 400 50 Hz	2x5.5	2x7.5	11	E-BOX 2G T 12A 400/50-60	48	9	8

MODEL	A	B	C	H	H1	H2	DNA	DNM	WEIGHT	PACKING (wxhxd)
2 NKV 15/3 T E-BOX 400/50	982	1221	973	964	236	236	100	80	276	1000x1400x2150
2 NKV 15/4 T E-BOX 400/50	982	1221	973	1099	236	236	100	80	280	1000x1400x2150
2 NKV 15/5 T E-BOX 400/50	982	1221	973	1148	236	236	100	80	285	1000x1400x2150
2 NKV 15/6 T E-BOX 400/50	982	1221	973	1257	236	236	100	80	374	1000x1400x2150
2 NKV 15/7 T E-BOX 400/50	982	1221	973	1307	236	236	100	80	377	1000x1400x2150

2 NKV 20 - RESIDENTIAL/INDUSTRIAL PRESSURE BOOSTER SETS

Pumped liquid temperature range: from -15 °C to +70 °C - Maximum ambient temperature: +40 °C - Max flow rate: 58 m³/h



The performance curves are based on kinematic viscosity values = 1 mm²/s and density equal to 1000 kg/m³. Curve tolerance according to ISO 9906.

Overall performance taking into account TWO pumps working at the same time.

MODEL	POWER INPUT	P2 NOMINAL		In A	CONTROL PANEL MODEL	MAXIMUM FLOW RATE m ³ /h	MAX OBTAINABLE PRESSURE BAR	STANDARD PRESSURE BAR
		kW	hp					
2 NKV 20/3 T E-BOX 400/50	3 x 400 50 Hz	2x4	2x5.5	7,6	E-BOX 2GT 12A 400/50-60	58	4	3,5
2 NKV 20/4 T E-BOX 400/50	3 x 400 50 Hz	2x5.5	2x7.5	11	E-BOX 2GT 12A 400/50-60	58	6	5
2 NKV 20/5 T E-BOX 400/50	3 x 400 50 Hz	2x5.5	2x7.5	11	E-BOX 2GT 12A 400/50-60	58	7	6

MODEL	A	B	C	H	H1	H2	DNA	DNM	WEIGHT	PACKING (wxhxd)
2 NKV 20/3 T E-BOX 400/50	982	1221	973	1049	236	236	100	80	284	1000x1400x2150
2 NKV 20/4 T E-BOX 400/50	982	1221	973	1158	236	236	100	80	364	1000x1400x2150
2 NKV 20/5 T E-BOX 400/50	982	1221	973	1208	236	236	100	80	366	1000x1400x2150