

# Trident

## PACKAGED BOOSTER SET & TANK SYSTEM

The Trebles Trident range is a new approach to combined tank & booster pump systems which minimises footprint whilst maintaining serviceability.

Once installed, pumps can be isolated, drained and removed/replaced without having to access or drain the tank resulting in minimal down time and water wastage. Water cooled variable speed drives maximise efficiency and performance whilst being whisper quiet due to the lack of any fans. The pump chamber is finished with a clear door giving visibility of the unit status whilst protecting internal components.

The smallest Trident sizes will fit through most common standard UK doorways. As an additional option, the Trident range can also be specified suitable for external installation. All models can be handed with the outlet on either the right or left side of the unit.

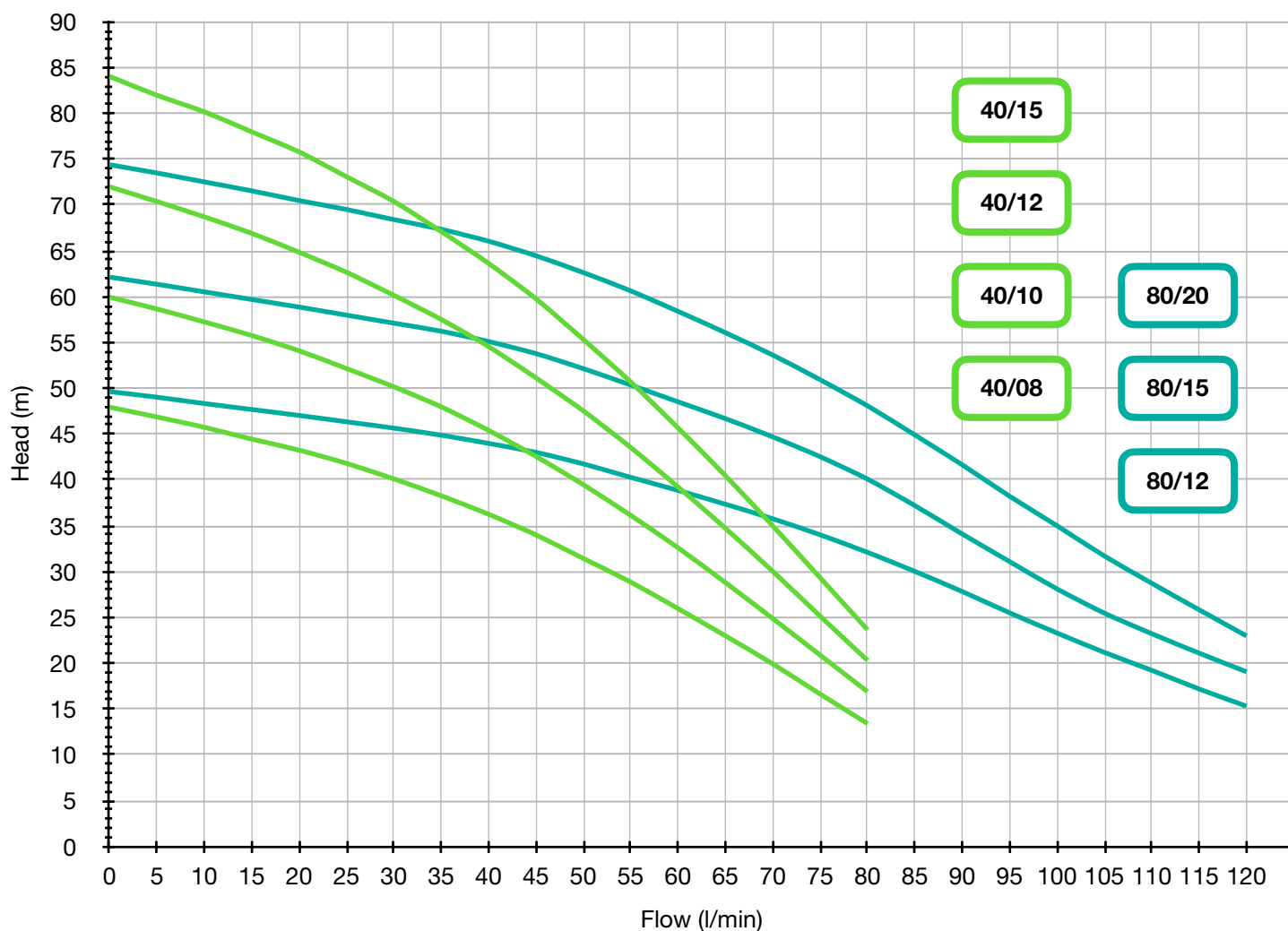
Tanks are installed with Category 4 back-flow prevention as standard with Category 5 being optional where required. All Trident models are fitted with a flow-through vessel, dry run protection and provide BMS output.



- ✓ Single or Twin Pump
- ✓ Duty/Standby or Duty/Assist
- ✓ 230V
- ✓ Auto-Changeover
- ✓ Variable Speed
- ✓ Flow Through Vessel
- ✓ Dry Run Protection
- ✓ Volt Free Contacts for BMS
- ✓ Quiet Operation
- ✓ Easy Maintenance
- ✓ External Installation Option
- ✓ 2 Year Guarantee

Capacities		640	920	1200	1670	2420	3000
6110 Series	Pumps	1					
6120 Series	Pumps	2					
Operating Conditions	Pressure Rating	1 MPa / 10 Bar					
	Water Temperature (Min/Max)	5°C / 40°C					
Connections	Inlet	1" Male BSP Equilibrium Float Valve					
	Outlet	1-1/2" Male BSP					
	Overflow	50mm Screened					
Tank	Capacity (Nominal)	640	920	1200	1670	2420	3000
	Air Gap	Type AF					
	Fluid Category	CAT 4					
	Capacity (Actual)	540	770	1010	1400	2030	2520
	Air Gap	Type AB					
	Fluid Category	CAT 5					
	Capacity (Actual)	520	750	980	1360	1980	2450
	Other	25mm Insulation / WRAS Approved / BS EN 13280:2001					
	Colour	RAL 7016 Anthracite Grey					
Materials	Check Valves	AISI 304					
	Isolation Valves	CW617N UNI EN 12165					
	Fittings	AISI 304					
	Manifold	AISI 304					
	Tank	Pre-Insulated GRP					
	Base	Encapsulated Marine Ply					
Electrical	Supply	230/1/50					
Tank Fill Rate	Inlet Pressure (Bar)	0.5	1.0	1.5	2.0	2.5	3.0
	Inlet Flow (L/min)	127	172	218	250	282	309

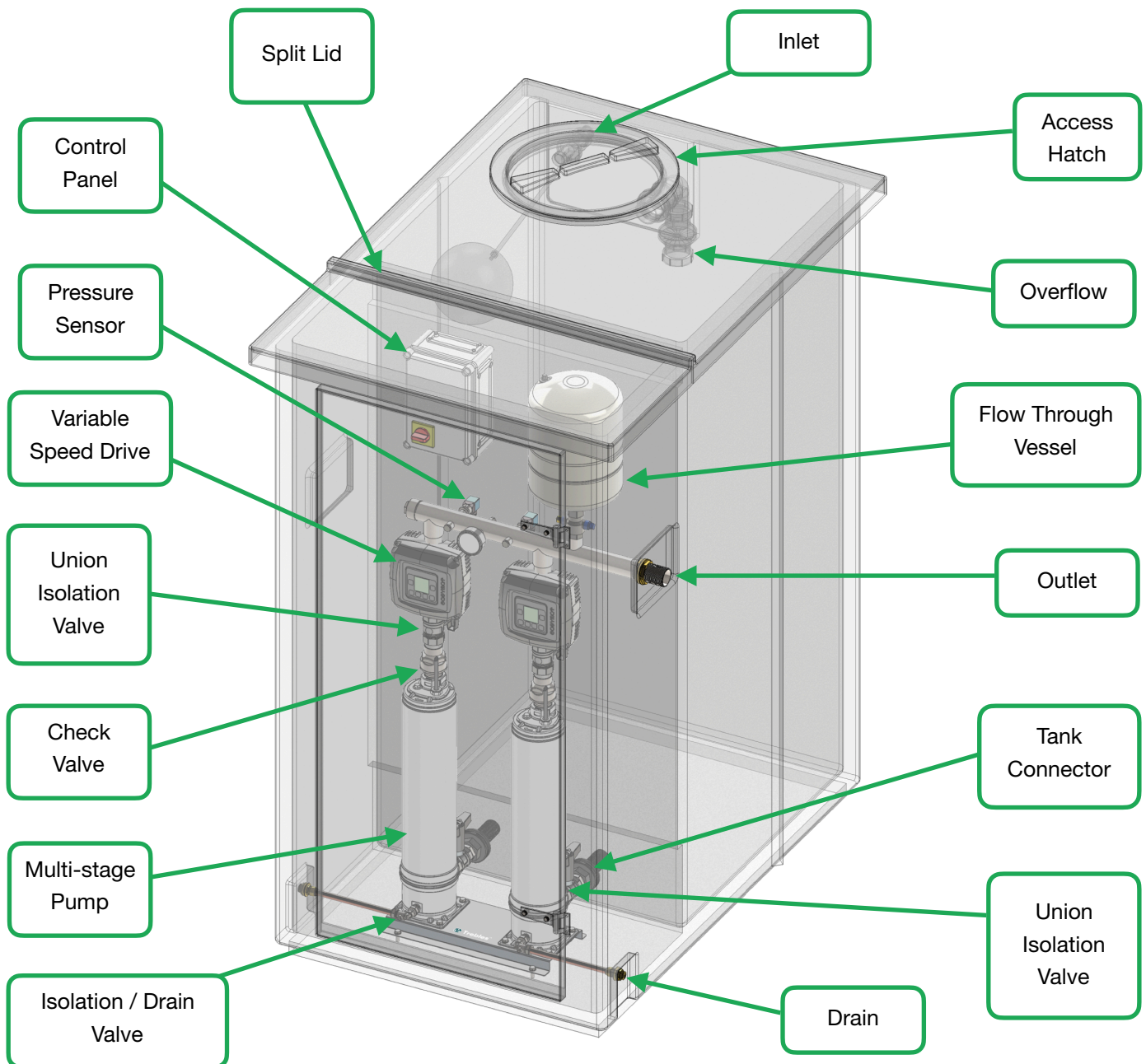
## Trident



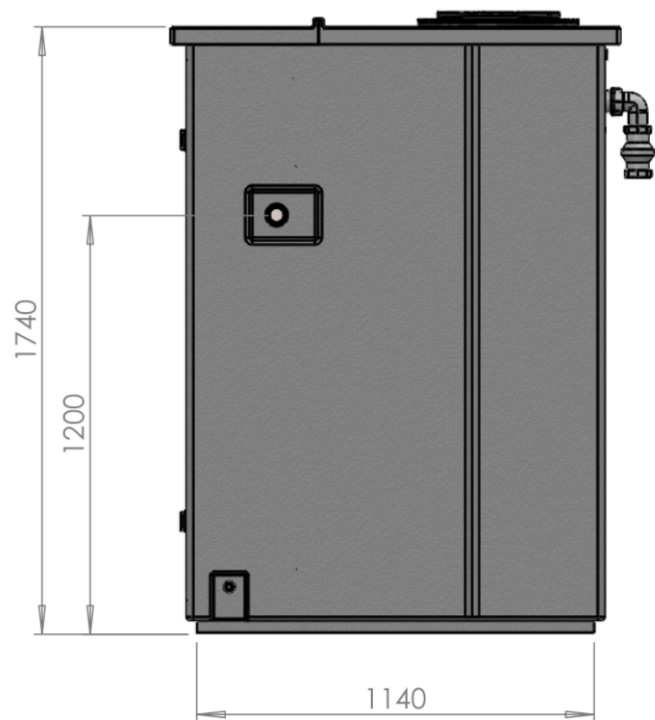
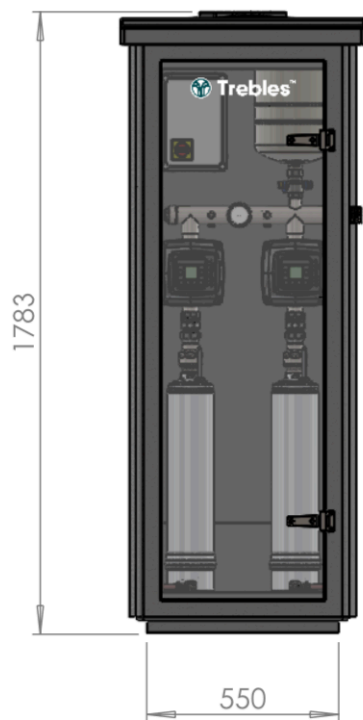
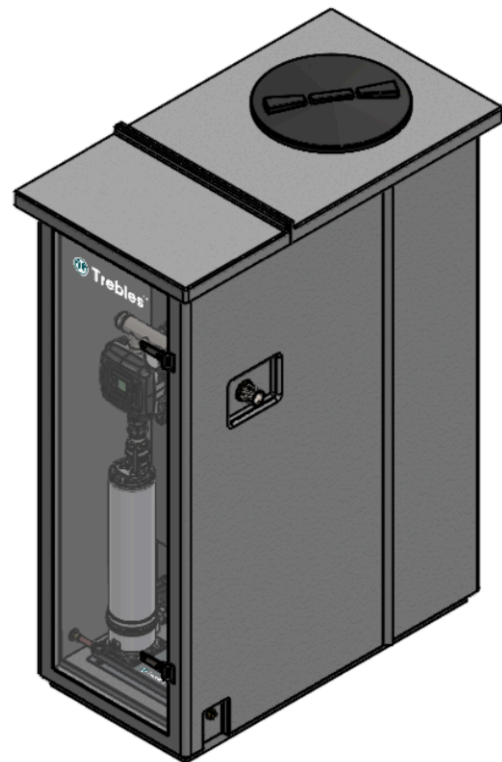
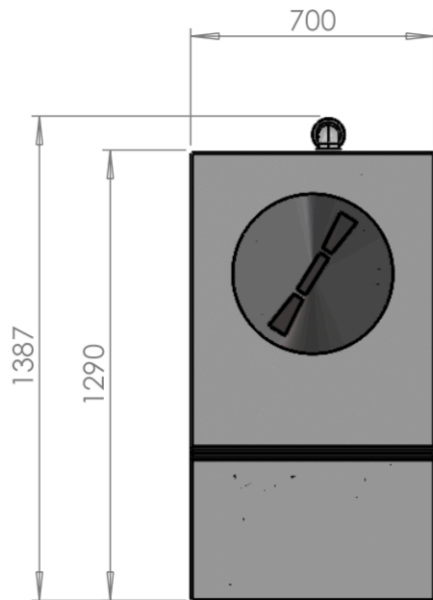
		40/08	40/10	40/12	40/15	80/12	80/15	80/20
Performance (Per Pump)	Flow (max)	80 l/min				120 l/min		
	Head (Q=0)	48m	60m	72m	84m	49m	62m	74m
	Head (Qmax)	13m	17m	20m	23m	15m	19m	23m
Electrical 6110 Series	Supply	230/1/50						
	Power (kW)	0.6	0.75	0.9	1.1	0.9	1.1	1.5
	Full Load Current (A)	6.7	7.6	8.3	8.8	7.9	10.4	11.6
Electrical 6120 Series	Supply	230/1/50						
	Power (kW)	2 x 0.6	2 x 0.75	2 x 0.9	2 x 1,1	2 x 0.9	2 x 1.1	2 x 1.5
	Full Load Current (A)	12.4	14.2	15.5	16.6	14.9	19.7	22.1

Example Model Code: 6120-1200-40/10-AF

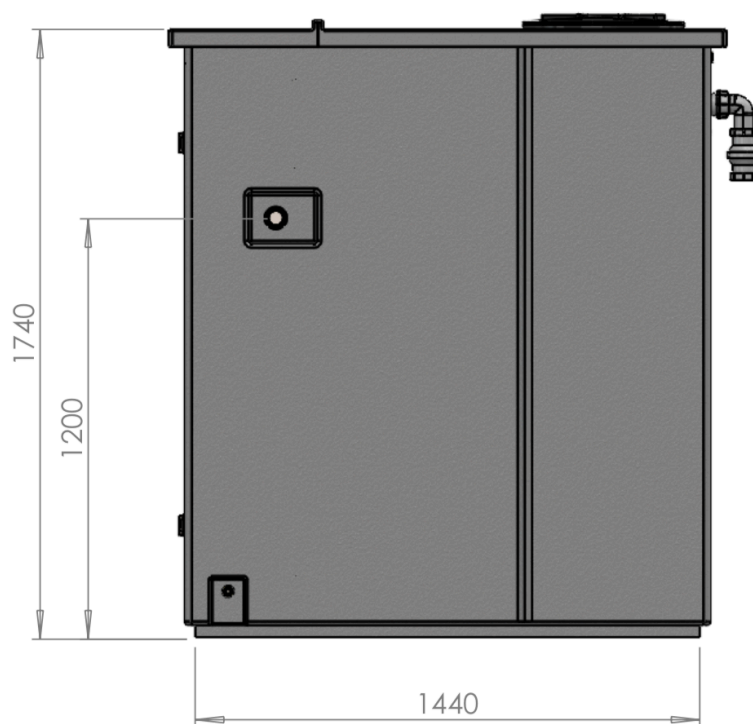
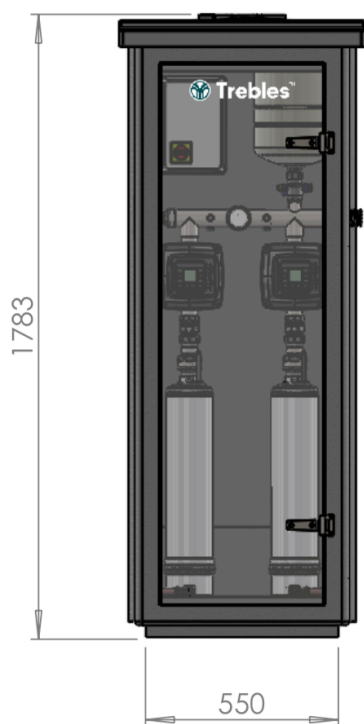
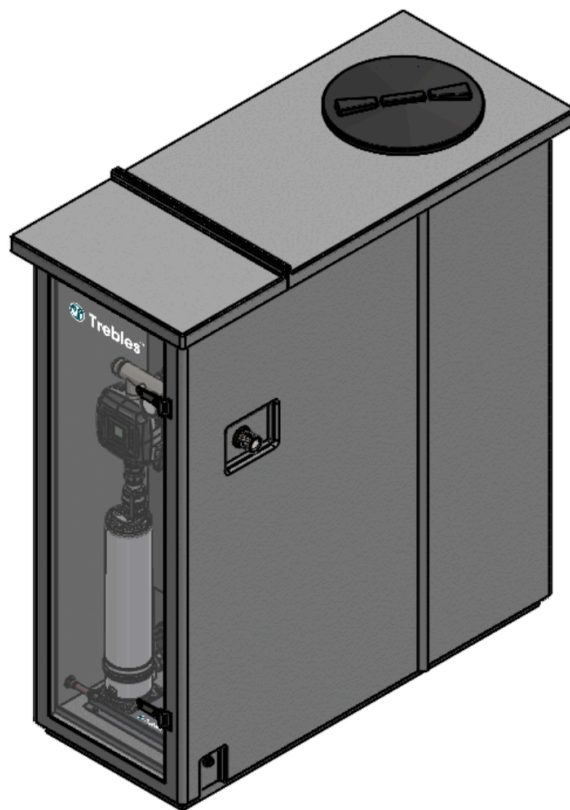
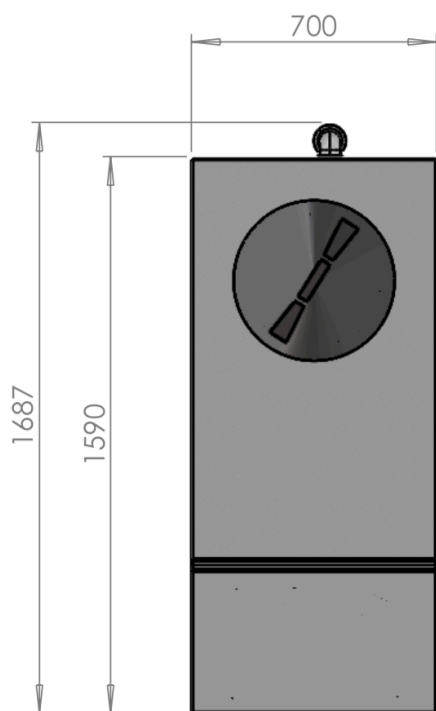
6120	-	1200	-	40	/	10	-	AF
6110 = 1-Pump 6120 = 2-Pump 6111 = 1-Pump (External) 6121 = 2-Pump (External)		Tank Capacity (Nominal)		Pump Hydraulic Code		Pump Power Code		Fluid Category CAT4 / AF CAT5 / AB



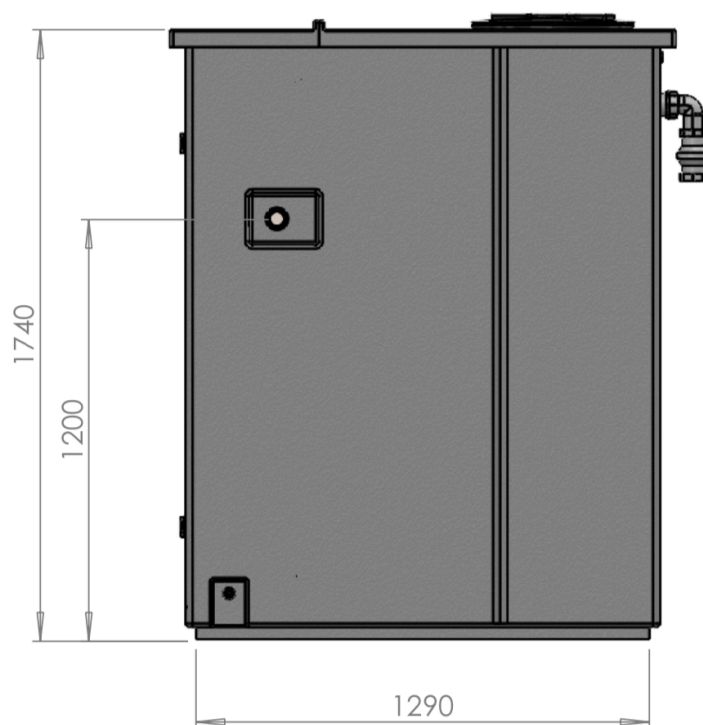
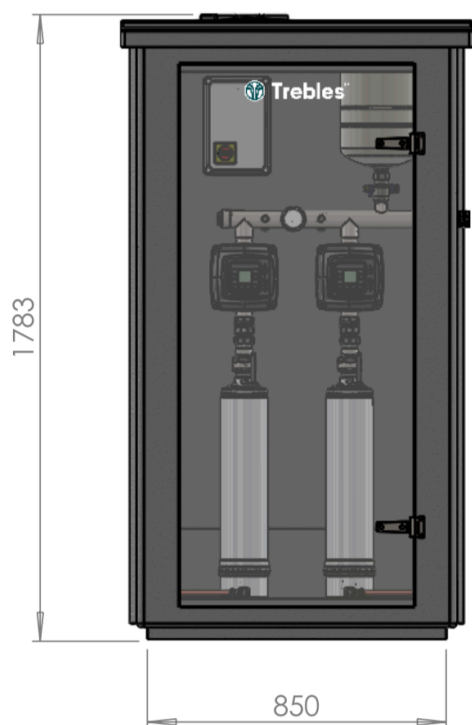
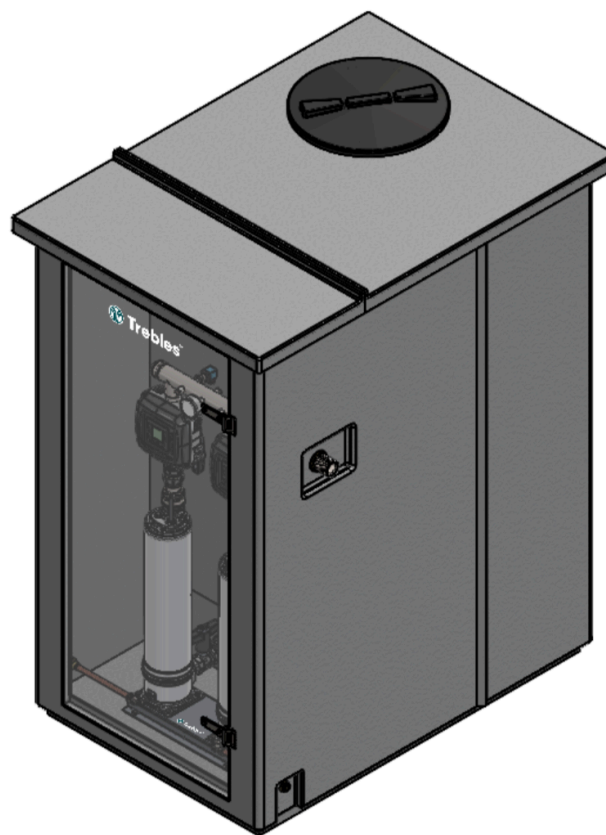
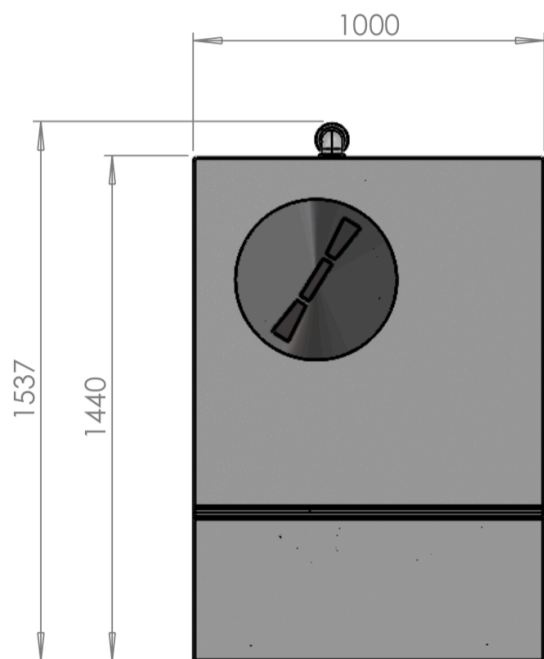
640



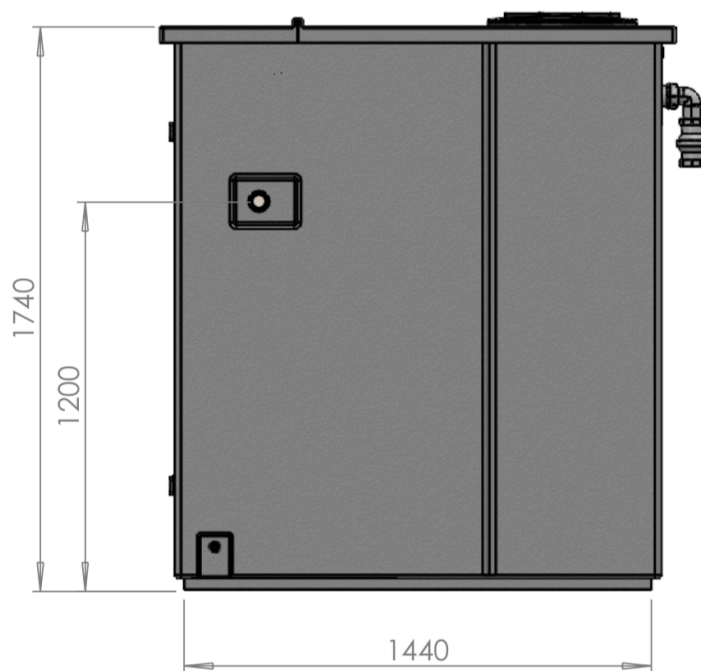
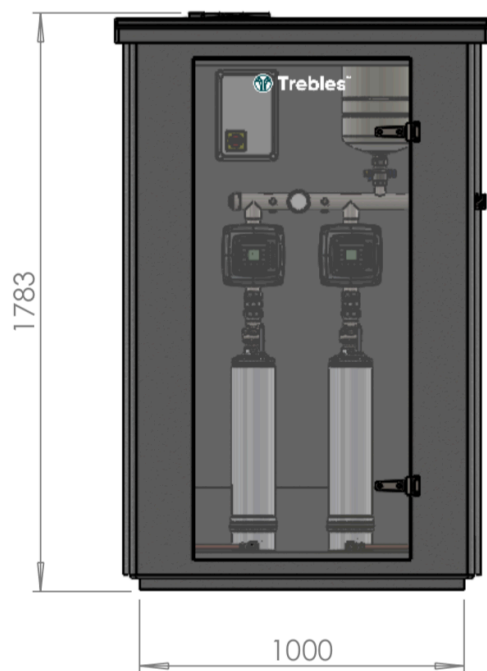
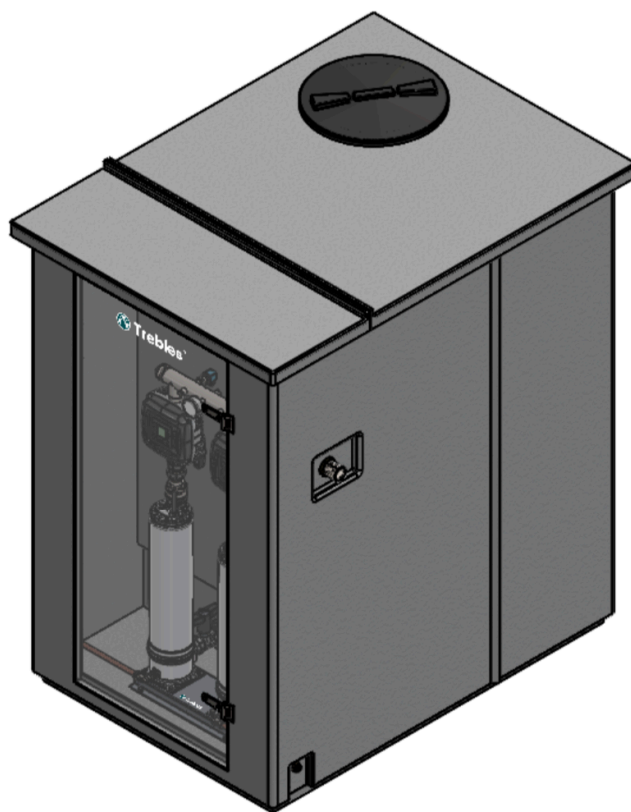
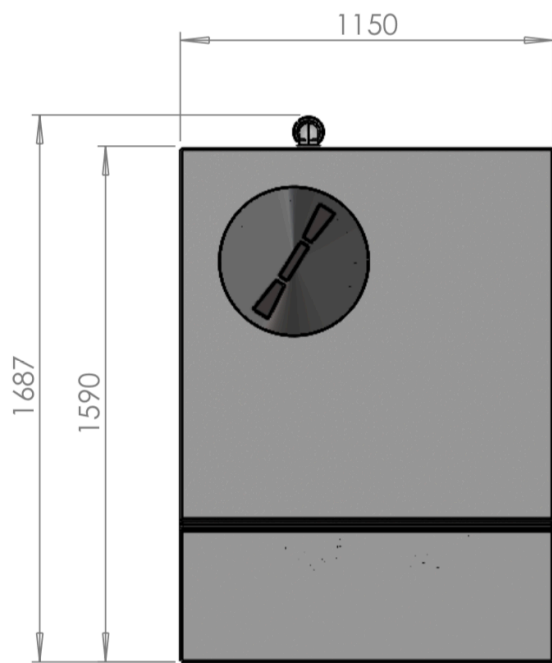
920



## 1200

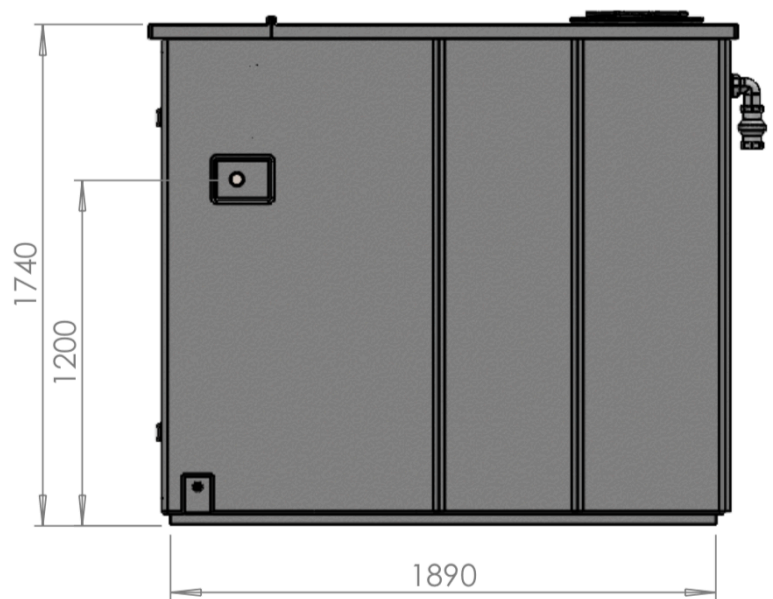
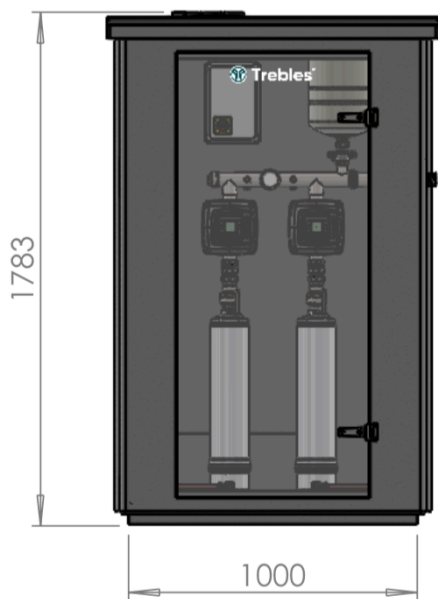
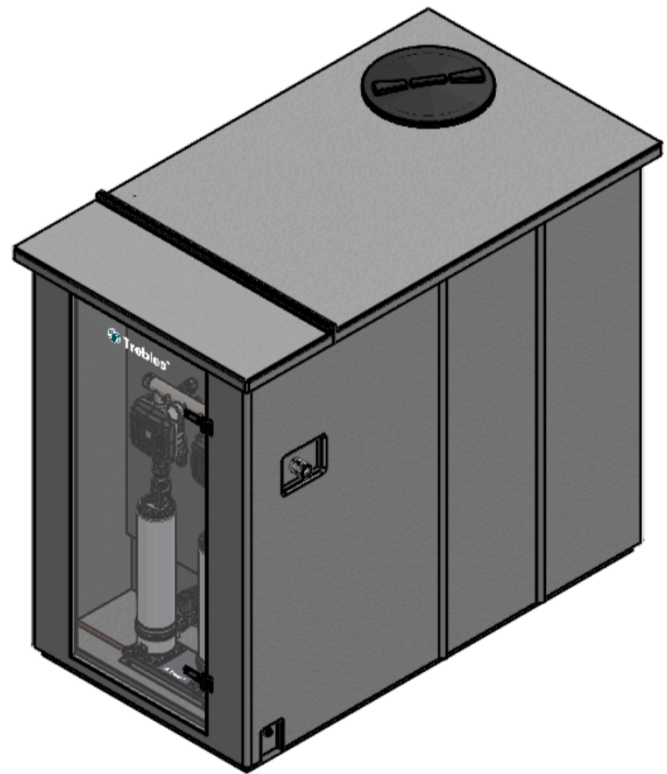
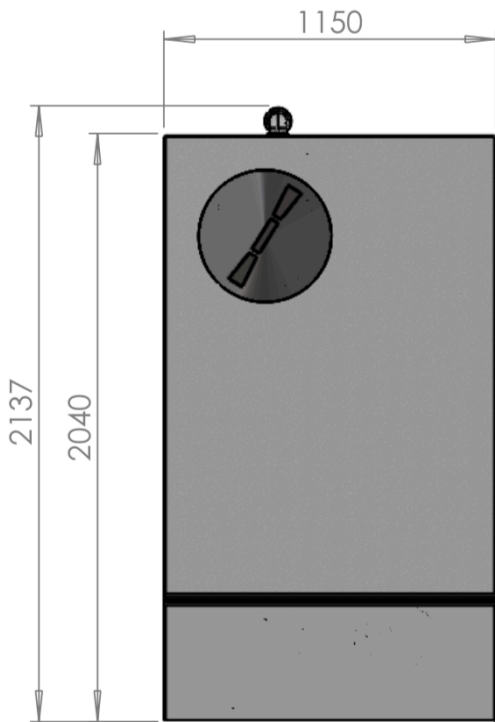


## 1670

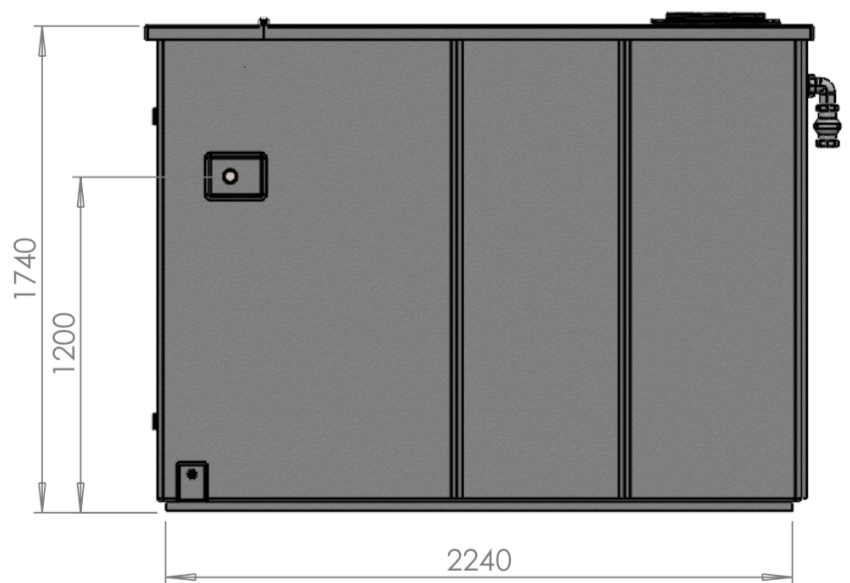
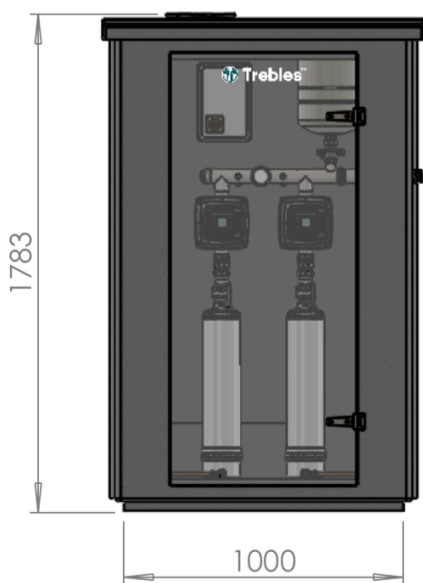
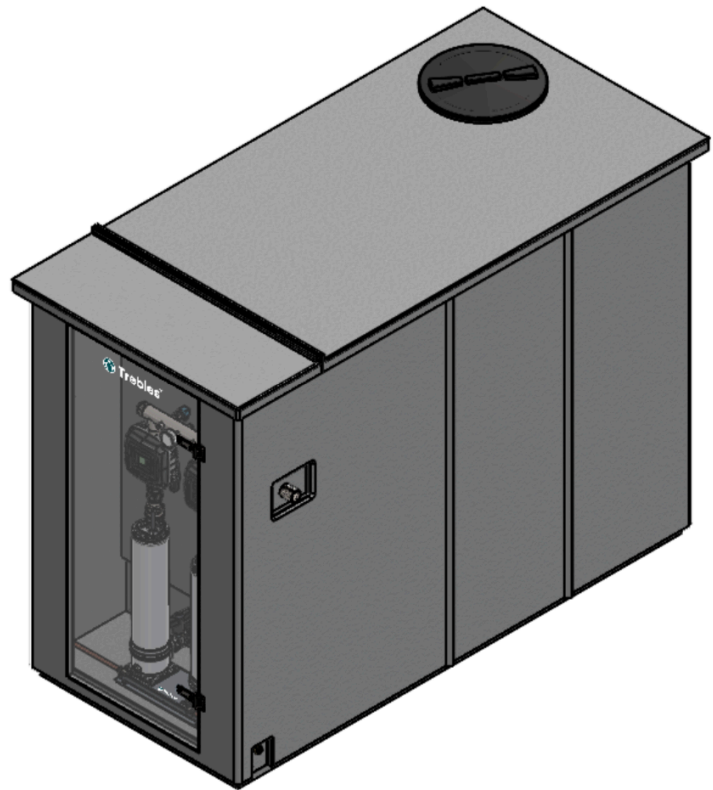
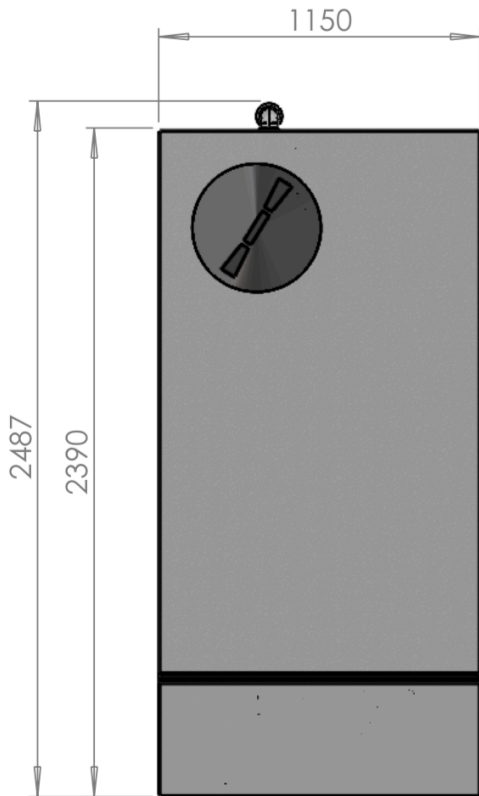




## 2420



3000



## PRESSURE & HEAD

Newton per square metre (N/m <sup>2</sup> ) (Pa)	Kilo Pascal (kPa)	Bar	Pound Per Square Inch (PSI)	Metre of Water (m H <sub>2</sub> O)
<b>1</b>	0.001	0.00001	14,500	0.000104
1,000	<b>1</b>	0.01	0.145	0.102
100,000	100	<b>1</b>	14.5	10.197
6,894	6.89	0.689	<b>1</b>	0.703
9,806	9.806	0.981	1.433	<b>1</b>

## VOLUMETRIC FLOW

Litres Per Minute (L/min)	Cubic Metres Per Hour (m <sup>3</sup> /hr)	Cubic Feet Per Hour (ft <sup>3</sup> /h)	Imperial Gallon Per Minute (Imp. gal/min)	U.S Gallon Per Minute (US gal/min)
<b>1</b>	0.06	2.1189	0.22	0.2642
16.6667	<b>1</b>	35.3147	3.6662	4.4029
0.4719	0.0283	<b>1</b>	0.1038	0.1247
4.5461	0.2728	9.6326	<b>1</b>	1,2009
3.7854	0.2271	8.0208	0.8327	<b>1</b>

## LENGTH

Millimetre (mm)	Centimetre (cm)	Metre (m)	Inch (in)	Foot (ft)
<b>1</b>	0.1	0.01	0.0394	0.0033
10	<b>1</b>	0.1	0.3937	0.0328
1000	100	<b>1</b>	39.37	3.2808
25.4	2.54	0.0254	<b>1</b>	0.0833
304.8	30.48	0.3048	12	<b>1</b>

## TEMPERATURE

Water	Kelvin (K)	Celsius (°C)	Fahrenheit (°F)
Freezing	273.15	0	32
Boiling	373.15	100	212



## HQ, Sales, Service & Manufacturing Centre

GM Treble Ltd  
New Street  
Parkfields  
Wolverhampton  
WV4 6AN

Tel: 01902 333111  
sales@gmtreble.co.uk

## Derby Sales & Service Office

GM Treble Ltd  
Unit 3, Derby Trading Estate  
Stores Road  
Derby  
DE21 4BE

Tel: 01332 294366  
derbysales@gmtreble.co.uk

## London Sales & Service Office

GM Treble Ltd  
Unit 29, Sarum Complex  
Salisbury Road  
Uxbridge  
UB8 2RZ

Tel: 01902 333111  
londonsales@gmtreble.co.uk