

GARDEN INOX

SELF-PRIMING CENTRIFUGAL ELECTRIC PUMPS



TECHNICAL DATA

Operating range:

from 0.4 to 5.4 m³/h with head up to 54 metres.

Liquid quality requirements: clean, free from solid or abrasive contaminants, non-viscous, non-aggressive, uncrystallised and chemically neutral, close to the properties of water.

Liquid temperature range:

from 0°C to +35°C for domestic use (EN 60335-2-41).

for other use: from 0°C to +40°C

Maximum suction depth: 8 metres.

Maximum ambient temperature: +40°C

Maximum operating pressure: 8 bar (800 kPa)

6 bar (600 kPa) only for models in technopolymer (JETCOM)

Installation: fixed in a horizontal position.

Special executions on request: alternative voltages and/or frequencies.

Motor protection rating: IP 44

Terminal block protection rating: IP 55

Insulation class: F

Standard input voltage: single phase 220/240 V / 50 Hz

APPLICATIONS

Self-priming electric centrifugal pump for gardening, horticulture, washing and leisure activities.

Equipped with a handle to aid in transport, a H07RN-F 2 metre power cord with plug and on-off switch.

Compact, easy to install, self-priming for pumping out pools, wells, and waterways even in the presence of air bubbles. Suitable for pumping water with low levels of sandy impurities.

CONSTRUCTIONAL FEATURES OF THE PUMP

Pump body in stainless steel and motor support in die cast aluminium.

Impeller, diffuser, venturi tube in technopolymer.

Stainless steel wear ring and seal holder.

Carbon/ceramic mechanical seal.

CONSTRUCTIONAL FEATURES OF THE MOTOR

Asynchronous type, closed, with external air cooling.

Rotor mounted on oversized greased-for-life ball bearings, to guarantee low noise and long life.

Incorporated thermo-amperometric protection and permanently inserted capacitor.

Manufacture pursuant to CEI 2-3 and CEI 61-69 (EN 60335-2-41) standard.

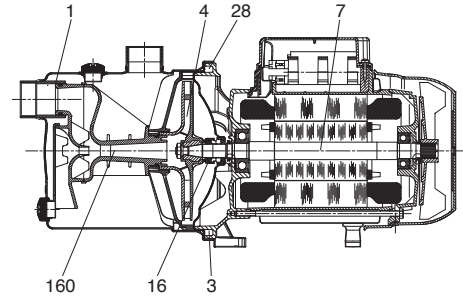
GARDEN INOX

SELF-PRIMING CENTRIFUGAL ELECTRIC PUMPS

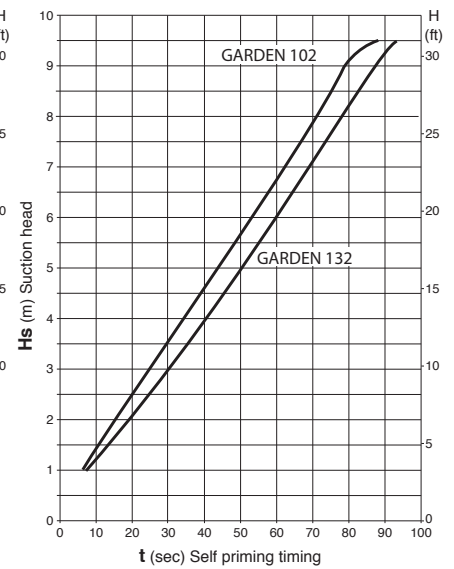
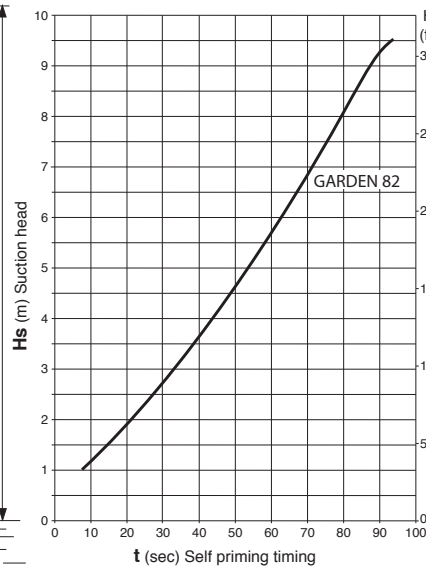
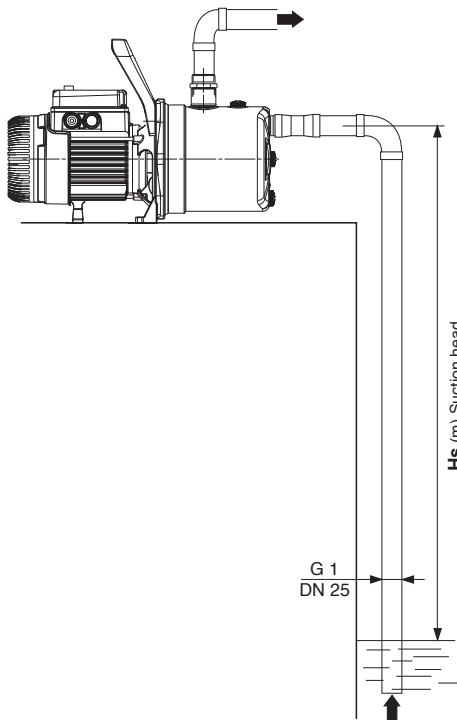
MATERIALS

N°	PARTS*	MATERIALS
1	PUMP BODY	GJL 200 UNI EN 1561 CAST IRON
3	FRAME	DIE CAST ALUMINIUM
4	IMPELLER	PPO-GF 20 (Noryl™)
7	SHAFT WITH ROTOR	AISI 416 STAINLESS STEEL X12CrS13 UNI EN 10088 (UNI 6900: 71)
16	MECHANICAL SEAL	CARBON/CERAMIC
28	OR GASKET	NBR RUBBER
160	VENTURI DIFFUSER NOZZEL GROUP	PPO-GF 20 (Noryl™)

* In contact with liquid



SELF PRIMING CAPACITY



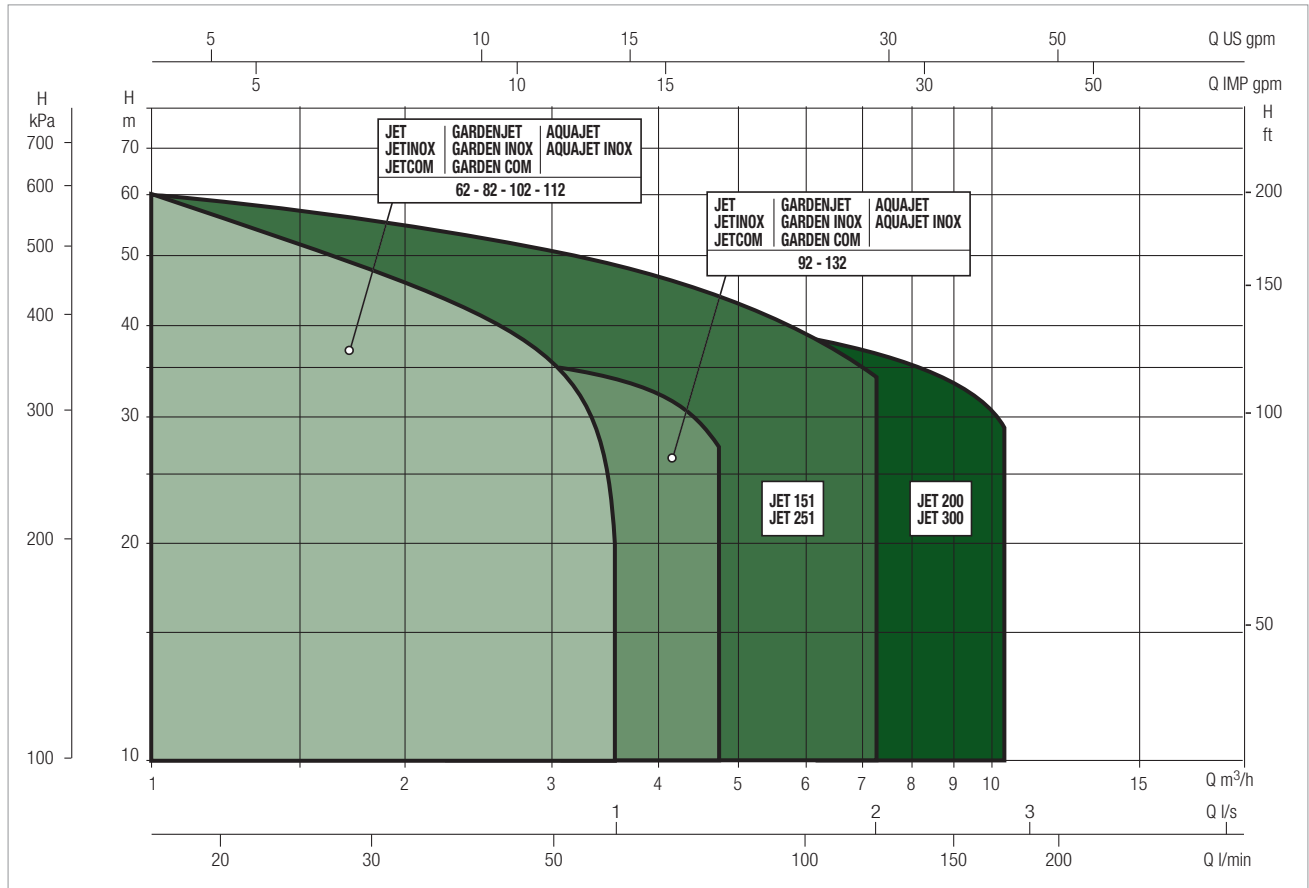
GARDEN INOX

SELF-PRIMING CENTRIFUGAL ELECTRIC PUMPS

PERFORMANCE RANGE

The performance curves are based on kinematic viscosity values = 1 mm²/s and density equivalent to 1000 kg/m³. Curve tolerance according to ISO 9906.

GRAPHIC SELECTION TABLE

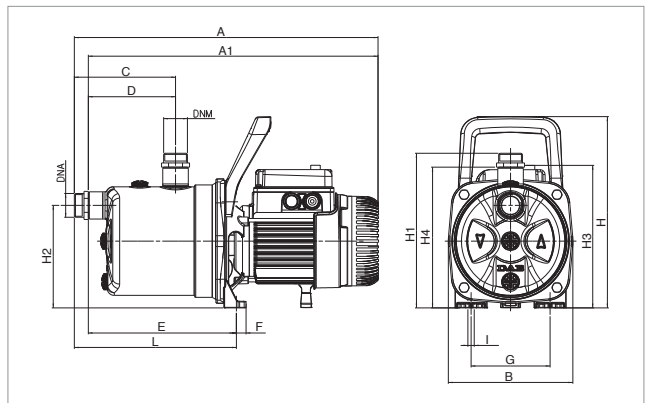
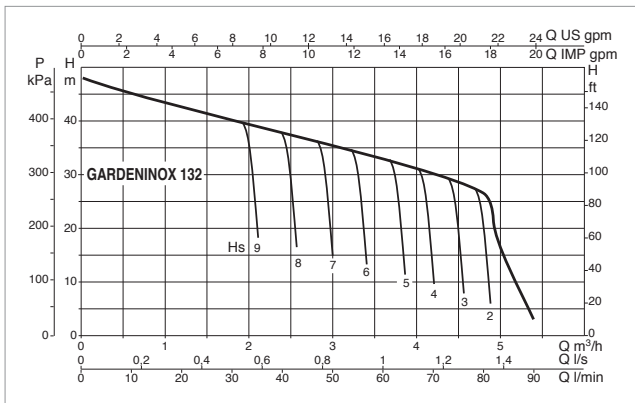
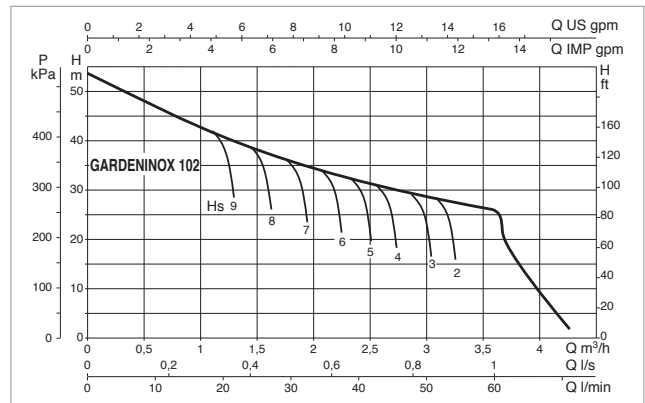
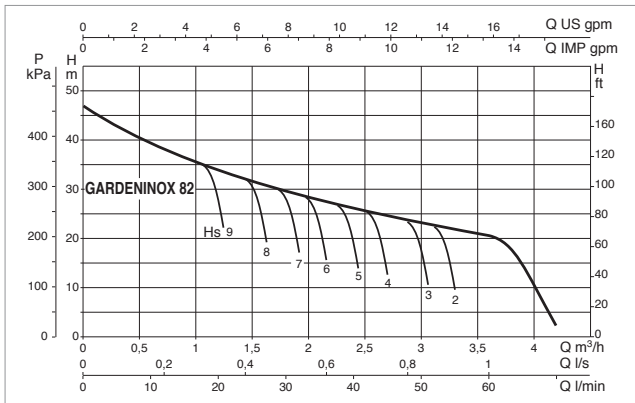


GARDEN INOX SELECTION TABLE

MODEL	Q=m ³ /h	0	0.6	1.2	1.8	2.4	3.0	3.6	4.2	4.8
	Q=l/min	0	10	20	30	40	50	60	70	80
GARDEN INOX 82 M	H (m)	47	40	34	30	26.2	23.5	20.3		
GARDEN INOX 102M		53.8	47	41	36.3	32.4	28.8	25.8		
GARDEN INOX 132M		48.3	45.6	42.8	40	37.6	35	32.5	30	27.2

GARDEN INOX - SELF-PRIMING CENTRIFUGAL ELECTRIC PUMPS FOR DOMESTIC WATER SUPPLY

Liquid temperature range pumped: from 0 °C to +35 °C - Maximum ambient temperature: +40°C



The performance curves are based on kinematic viscosity values = 1 mm²/s and density equivalent to 1000 kg/m³. Curve tolerance according to ISO 9906.

MODEL	ELECTRICAL DATA						
	POWER SUPPLY 50 Hz	P1 MAX kW	P2 NOMINAL		In A	CAPACITOR	
			kW	HP		µF	Vc
GARDEN INOX 82 M	1x220-240 V ~	0.85	0.6	0.8	3.8	12.5	450
GARDEN INOX 102M	1x220-240 V ~	1.13	0.75	1	5.1	16	450
GARDEN INOX 132M	1x220-240 V ~	1.49	1	1.36	6.6	25	450

MODEL	A	A1	A2	B	C	D	E	F	G	H	H1	H2	H3	H4	I Ø	L	DN1 GAS	DN2 GAS	PACK DIMENSIONS			VOLUME (mc)	GROSS WEIGHT Kg
	L/A	L/B	H																				
GARDEN INOX 82 M	424	406	-	174	142	122	207	14	111	268	216	144	199	197	9	227	1"	1"	470	240	240	0.027	10.7
GARDEN INOX 102M	444	424	-	174	142	122	207	14	111	268	216	144	209	197	9	227	1"	1"	470	240	240	0.027	12.5
GARDEN INOX 132M	444	424	-	174	142	122	207	14	111	268	216	144	209	197	9	227	1"	1"	470	240	240	0.027	13.5