

VSL PUMP RANGE

VERTICAL, **SEAL-LESS**, THERMOPLASTIC, CENTRIFUGAL PUMPS



**MANUFACTURED
IN THE UK**

 CAPACITY < 80 M³/HR

 HEAD < 40 Metres

 RUN DRY CAPABILITY

 MINIMAL MAINTENANCE

 CORROSION RESISTANT

Part of the
VERTICAL PLASTIC
Pump Range



VERTICAL OVERVIEW

The vertical range are proven to stand the test of time offering solid performance constantly throughout the pumps lifetime, minimising both operational costs and maintenance costs whilst keeping your process running efficiently and reliably.

To ensure that we supply you with a pump that will last in the harshest of environments, pumps are available in a variety of materials including polypropylene, PVC, PVDF and 316 stainless steel. Every plastic vertical pump in our range is designed and manufactured in the UK so we can tailor the pump to your exact requirements – whether that be a particular column length, mounting plate shape or outlet position. Usually with very little difference in price of lead time compared to a standard pump.

The vertical range are suitable for all types of applications, including metal treatment, tank emptying, transfer and re-circulation, effluent treatment amongst many other corrosive duties.

All VSL pumps feature a standard 400mm column length. Suction extensions, non-return valves, strainers and level control switches are all readily available as optional extras.

MINIMAL MAINTENANCE

The VSL range of vertical plastic pumps are able to run-dry indefinitely due to the pumps cantilever design without immersed bearings. They also feature a double balanced impeller, which creates a liquid ring seal preventing the liquid from backing up the pump shaft.

RUGGED DESIGN

All wetted parts are fabricated or machined from solid ensuring a very rugged and reliable pump. A range of durable materials can be supplied including Polypropylene, PVC, PVDF or 316 stainless steel and a choice of O-ring materials providing the ultimate corrosion resistance for your application. Mounting plates are included as standard for ease of installation.

The vertical pumps may be mounted internally or externally enabling valuable tank space to be fully utilised.



**2 YEAR
WARRANTY**



**ATEX ZONE 1/2
CERTIFIED**



**DURABLE
THERMOPLASTIC**



**RUN DRY
DESIGN**



**CORROSION
RESISTANCE**



**NO OBSOLETE
PARTS POLICY**



**FLEXIBLE TO
DESIGN SPEC**



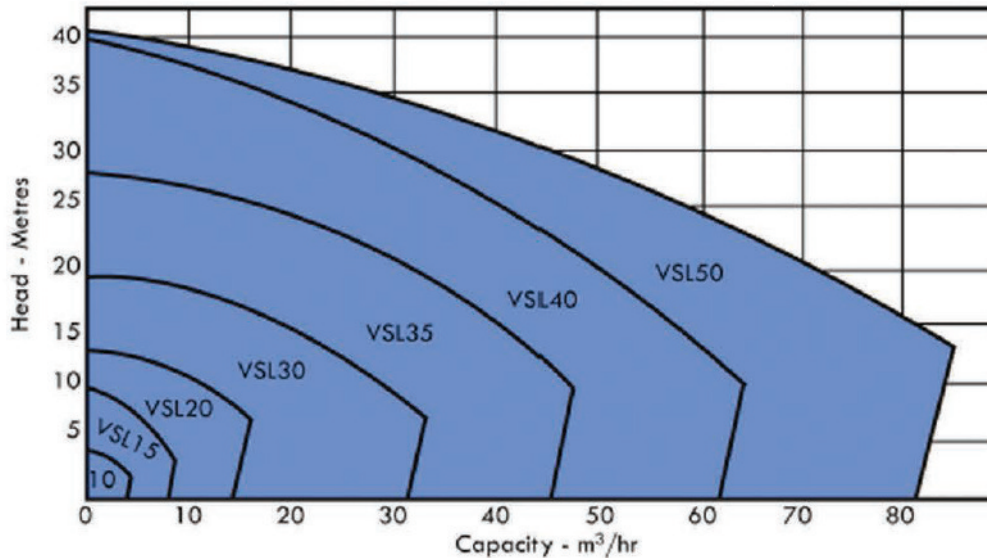
**MANUFACTURED
IN THE UK**

VSL PUMP RANGE

VERTICAL, **SEAL-LESS**, THERMOPLASTIC, CENTRIFUGAL PUMPS

PUMP RANGE CURVES

Pump curves for the VSL range of plastic vertical pumps.



TECHNICAL SPECIFICATION

MODEL	SUCTION (")	DIS-CHARGE (")	SPEED (rpm)	RATED CAPACITY (m³/hr)	RATED HEAD (m)	MAX CAPACITY (m³/hr)	MAX HEAD (m)	MOTOR OUTPUT (kW)
10	1.25	1	2900	3	3	5	5	0.55
15	1.25	1	2900	6	5	9	9	0.55
20	1.5	1.25	2900	9	10	17	14	1.5
30	2	1.5	2900	15	16	33	18	3
35	2.5	2	2900	30	25	55	28	5.5
40	2.5	2	2900	40	30	70	40	11
50	3	2.5	2900	60	22	80	40	18.5

NO OBSOLETE PARTS POLICY

The entire range of vertical plastic pumps come with 24 months warranty as standard (longer warranties available on request), as an assurance to your business that our pumps are quality built to stand the test of time. We take great pride in taking replacement or spares orders for pumps that were built and installed over 30 years ago.

All of our pumps come with our No obsolete parts policy, meaning if you have a Crest Pump for 40 years, we will still be able to provide you with the necessary parts or an exact replacement to minimise disruption to your process.

Our vertical pumps have been utilised by some of the largest companies in the world, including Unilever, BASF Chemicals, GlaxoSmithKline, Conocophillips, Centrica and General Electric.



NO OBSOLETE PARTS POLICY

VSL PUMP RANGE

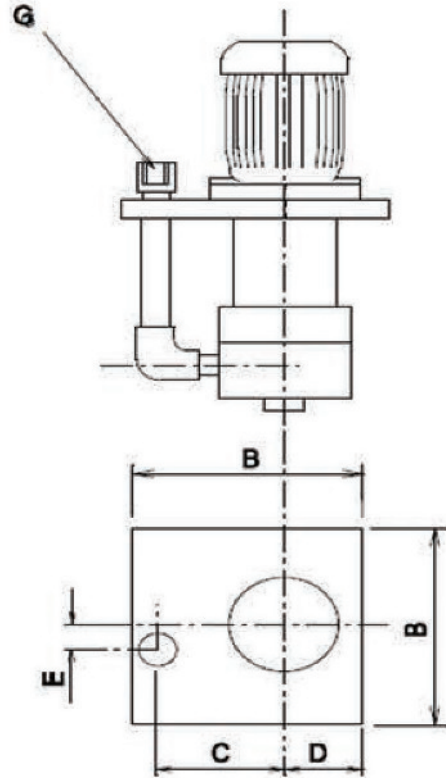
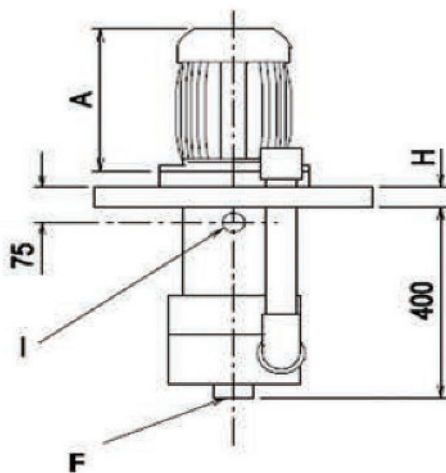
VERTICAL, **SEAL-LESS**, THERMOPLASTIC, CENTRIFUGAL PUMPS

∞ RANGE DIMENSIONS

For specific 3D CAD drawings or specific pump dimensions, please contact us at info@crestpumps.co.uk or telephone +44 (0)1425 627700.

NOTE:

- * The total length and weight of the pump will differ depending on the brand of the motor.
- All dimensions are in mm.
- Assembly tolerances are +/- 3mm.



MODEL mm	A	B	C	D	E	F	G	H	I
VSL 10	*	207	124	101	27.5	1.25" BSP F	1" BSP F	20	0.5" BSP F
VSL 15	*	270	131	98	35	1.25" BSP F	1" BSP F	20	0.5" BSP F
VSL 20	*	330	155	122	45	1.5" BSP F	1.25" BSP F	20	0.75" BSP F
VSL 30	*	330	165	115	50	2" BSP F	1.5" BSP F	20	0.75" BSP F
VSL 35	*	480	202	165	63	2.5" BSP F	2" BSP F	20	1" BSP F
VSL 40	*	480	207	165	72	2.5" BSP F	2" BSP F	20	1" BSP F
VSL 50	*	480	215	180	65	3" BSP F	2.5" BSP F	20	1" BSP F



VSL PUMP RANGE

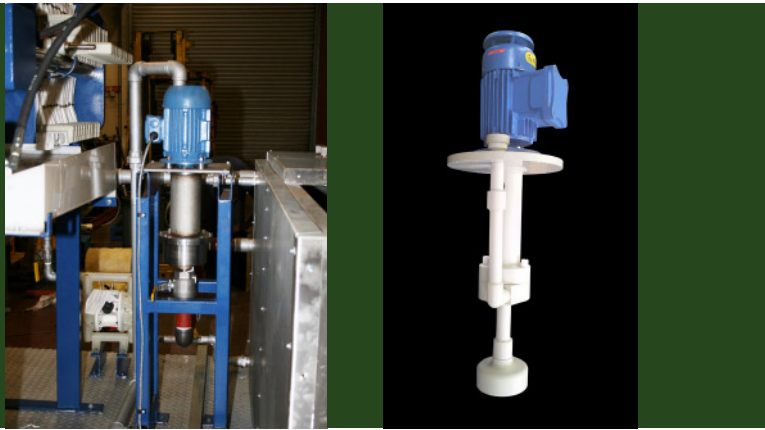
VERTICAL, **SEAL-LESS**, THERMOPLASTIC, CENTRIFUGAL PUMPS

CASE STUDY - MONIER REDLANDS

“Monier Redlands were restructuring their production process for building roof tiles and were replacing older pumps which were beginning to operate inefficiently.”

Monier Redlands’ aim is to deliver high-quality roofing solutions for their customers.


Our technical engineers advised Monier on the most suitable chemical pumps for the chemical based solutions which is used to clean all tiles after production. Crest supplied, over a period of time, 7 VSL pumps capable of running dry with a reduced column length of 300mm.




CREST VERTICAL PUMPS - UTILISED BY




APPLICATIONS


 **CHEMICAL**
Chemical applications include chemical transfer, dosing, re-circulation, filtration, fume scrubbing and tanker off-loading.


 **PETROCHEMICAL**
Previous petrochemical installations include high temperature, high pressure, highly viscous applications as well as chemical injection, re-circulation, off-loading and solid handling.

 **WATER TREATMENT**
Providing reliable process pumps to the UK’s largest wastewater treatment providers, for chemical transfer, desalination, reverse osmosis, water treatment and tanker unloading.

 **PHARMACEUTICAL**
Pharmaceutical companies have relied on Crest Pumps to provide pumps for ATEX requirements, chemical injection, CIP pumping, solid handling, high viscous medias and highly toxic applications.

 **BIOFUELS**
Fully ATEX certified process pumps for transfer of liquids in explosive atmospheres, solids handling, tanker unloading, recirculation and transfer.

 **ENERGY GENERATION**
Pumps supplied for various energy generation applications, including wind turbine, solar, and Vanadium redox flow batteries.

 **MARINE**
Centrifugal pumps supplied for various below deck applications including ballast water treatment, electrolysis, desalination and sea water cooling systems.