








SHC PUMP RANGE

HORIZONTAL END SUCTION, **MECHANICALLY SEALED**, CENTRIFUGAL PUMPS



-  CAPACITY <math><300 \text{ M}^3/\text{HR}</math>
-  HEAD <math><60 \text{ Metres}</math>
-  VARIOUS IMPELLER OPTIONS
-  VARIOUS SEAL OPTIONS
-  SOLIDS HANDLING CAPABILITY
-  QUICK LEAD TIMES
-  316 STAINLESS STEEL CONSTRUCTION

Part of the
STAINLESS STEEL
Pump Range



SHC OVERVIEW

The SHC range of horizontal, centrifugal mechanically sealed pumps are suitable for a wide variety of corrosive and arduous applications including chemical transfer, pharmaceutical and food production.

Constructed from 316 stainless steel or cast iron, with multiple impeller and seal options, the SHC range is suitable for a vast range of applications from simple water transfer to processes with high viscosities (<math><700\text{Cp}</math>), solids or gas/air pumping (<math><15\% \text{ air}</math>).

IMPELLER OPTIONS

The SHC range comes with a choice of impeller designs to best fit your application. The open and vortex impeller are suitable for aggressive liquids with suspended solids and /or high viscosities.

The vortex model features a recessed impeller, capable of pumping solids up to 60% of the size of the discharge port. The closed impeller is suitable for clean liquids or liquids containing a small amount of solids in suspension.

FLEXIBILITY

The modular design of the SHC range makes the pump completely flexible to your business requirements. The standard seal chamber can fit any seal type, brand or arrangement. So with very little adjustment, the pump can be modified to meet any future changing plant requirements quickly and economically.

MODULAR DESIGN

Reduce operational and maintenance costs with the SHC range, the addition of a wear plate reduces the cost of maintenance because it allows the user to replace just the wear plate instead of the entire pump casing. The flexible pump casing can fit all sized impellers from open to closed, so with little adjustment, it can be modified to new plant or process requirements.



**2 YEAR
WARRANTY**



**ATEX ZONE 1/2
CERTIFIED**



**HIGH
EFFICIENCY**



**FLEXIBLE TO
DESIGN SPEC**



**CORROSION
RESISTANCE**



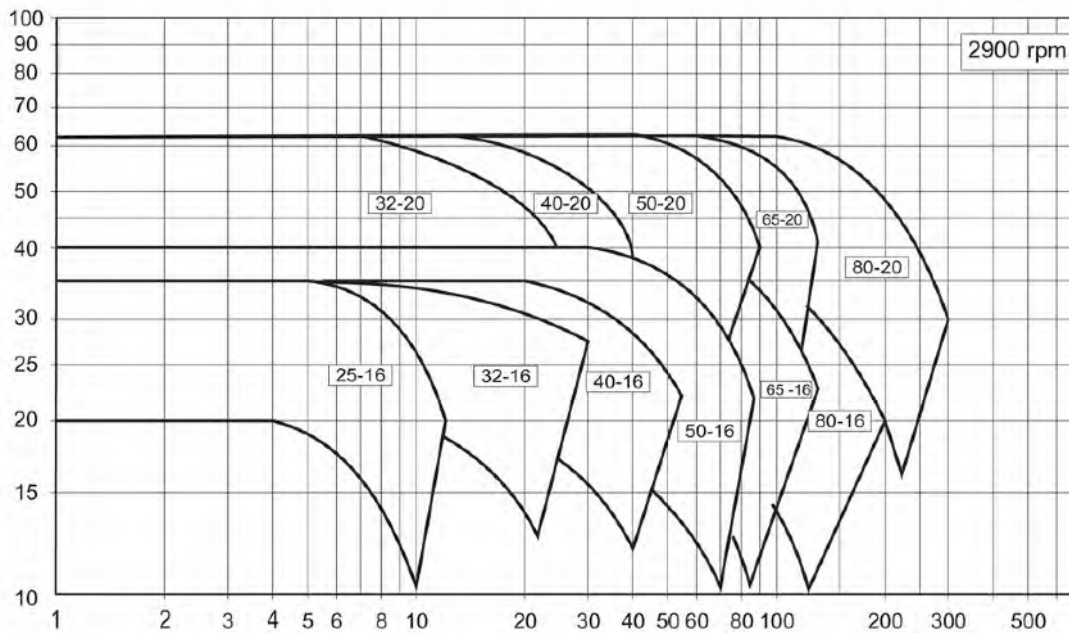
**CHOICE OF
MATERIALS**

SHC PUMP RANGE

HORIZONTAL END SUCTION, **MECHANICALLY SEALED**, CENTRIFUGAL PUMPS

PUMP RANGE CURVES

Pump curves for the SHC Stainless steel Mechanical Seal Pumps



TECHNICAL SPECIFICATION

| MODEL | SUCTION / DISCHARGE (mm*mm) | SPEED (rpm) | RATED CAPACITY (m ³ /hr) | RATED HEAD (m) | MAX CAPACITY (m ³ /hr) | MAX HEAD (m) | MOTOR OUTPUT (Kw) | BEST EFFICIENCY (%) |
|------------|-----------------------------|-------------|-------------------------------------|----------------|-----------------------------------|--------------|-------------------|---------------------|
| 40-25-160 | 40*25 | 2900 | 9 | 32 | 13 | 37 | 2.2 | 44 |
| 40-25-185 | 40*25 | 2900 | 11 | 41 | 13 | 45 | 3 | 40 |
| 50-32-160 | 50*32 | 2900 | 25 | 31 | 50 | 37 | 4 | 64 |
| 65-40-160 | 65*40 | 2900 | 43 | 29 | 55 | 38 | 5.5 | 68 |
| 80-50-160 | 80*50 | 2900 | 64 | 31 | 90 | 40 | 11 | 70 |
| 80-50-200 | 80*50 | 2900 | 66 | 50 | 90 | 60 | 15 | 79 |
| 100-65-160 | 100*65 | 2900 | 105 | 53 | 150 | 65 | 22 | 79 |
| 100-65-200 | 100*65 | 2900 | 84 | 32 | 120 | 40 | 15 | 80 |
| 128-80-160 | 125*80 | 2900 | 130 | 31 | 180 | 40 | 18.5 | 78 |
| 125-80-200 | 125*80 | 2900 | 170 | 52 | 300 | 61 | 37 | 78 |

SHC PUMP RANGE

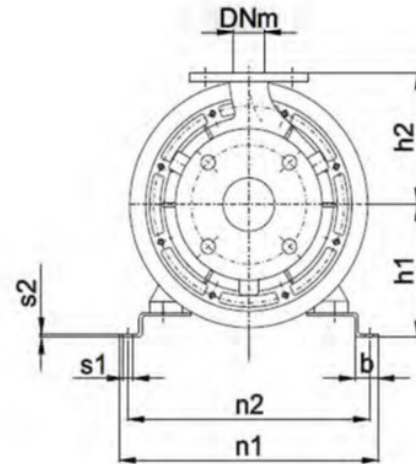
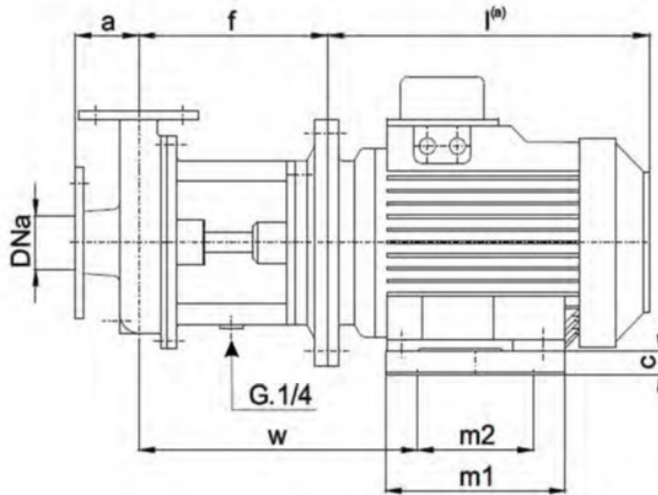
HORIZONTAL END SUCTION, **MECHANICALLY SEALED**, CENTRIFUGAL PUMPS

∞ RANGE DIMENSIONS

For specific 3D CAD drawings or specific pump dimensions, please contact us at info@crestpumps.co.uk or telephone +44 (0)1425 627700.

NOTE:

1. The total length and weight of the pump will differ depending on the brand of the motor.
2. All dimensions are in mm.
3. Assembly tolerances are +/- 3mm.



** please see next page for Dimensions Table

∞ MODULAR DESIGN

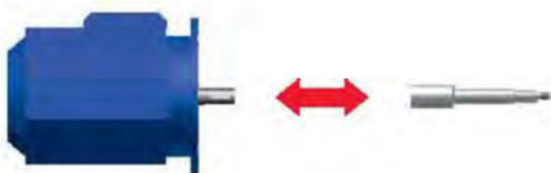


Reduce operational and maintenance costs with the SHC range.

The addition of a wear plate reduces the cost of maintenance because it allows the user to replace just the wear plate instead for the entire pump casing.



The flexible pump casing can fit all sized impellers from open to closed, so with little adjustment it can be modified to new plant or process requirements.



B35 IEC motors are fitted as standard. Any brand or make can be installed to your requirements.

SHC PUMP RANGE

HORIZONTAL END SUCTION, **MECHANICALLY SEALED**, CENTRIFUGAL PUMPS

DIMENSIONS TABLE

| PUMP SIZE | ELECTRIC MOTOR UNEL -MEC | DIMENSIONS (mm) | | | | | | | | | | | | | | | Weight (kg) |
|------------|-----------------------------|-----------------|-----------------|-----|-----|----------------|----------------|------|-----|-----|-----|-----|-----|----|----|-----|----------------|
| | | PUMPS | | | | | | FEET | | | | | | | | | |
| | | DN _a | DN _m | a | f | h ₁ | h ₂ | b | c | m1 | m2 | n1 | n2 | s1 | s2 | w | |
| 40-25-160 | 80 | 40 | 25 | 60 | 187 | 155 | 147 | 23 | 75 | 300 | 220 | 203 | 183 | 10 | 3 | 177 | 15 |
| | 90 | " | " | " | 187 | 165 | " | 23 | 75 | 300 | 220 | 218 | 198 | 10 | 3 | 183 | 15 |
| | 100 | " | " | " | 207 | 155 | " | 25 | 55 | 280 | 200 | 240 | 218 | 12 | 3 | 240 | 21 |
| | 112 | " | " | " | 207 | 167 | " | 25 | 55 | 280 | 200 | 270 | 245 | 12 | 3 | 247 | 21 |
| 50-32-160 | 80 | 50 | 32 | 80 | 194 | 155 | 160 | 23 | 75 | 300 | 220 | 203 | 183 | 10 | 3 | 184 | 18 |
| | 90 | " | " | " | 194 | 165 | " | 23 | 75 | 300 | 220 | 218 | 198 | 10 | 3 | 190 | 18 |
| | 100 | " | " | " | 214 | 155 | " | 25 | 55 | 280 | 200 | 240 | 218 | 12 | 3 | 247 | 24 |
| | 112 | " | " | " | 214 | 167 | " | 25 | 55 | 280 | 200 | 270 | 245 | 12 | 3 | 254 | 24 |
| | 132 | " | " | " | 234 | 162 | " | 29 | 30 | 340 | 220 | 326 | 304 | 14 | 4 | 283 | 24 |
| 50-32-200 | SEE 50-32-200 | | | | | | | | | | | | | | | | |
| 65-40-160 | 80 | 65 | 40 | 80 | 198 | 155 | 160 | 23 | 75 | 300 | 220 | 203 | 183 | 10 | 3 | 188 | 20 |
| | 90 | " | " | " | 198 | 165 | " | 23 | 75 | 300 | 220 | 218 | 198 | 10 | 3 | 194 | 20 |
| | 100 | " | " | " | 218 | 155 | " | 25 | 55 | 280 | 200 | 240 | 218 | 12 | 3 | 251 | 26 |
| | 112 | " | " | " | 218 | 167 | " | 25 | 55 | 280 | 200 | 270 | 245 | 12 | 3 | 258 | 26 |
| | 132 | " | " | " | 238 | 162 | " | 29 | 30 | 340 | 220 | 326 | 304 | 14 | 4 | 287 | 26 |
| 65-40-200 | SEE 65-40-200 | | | | | | | | | | | | | | | | |
| 80-50-160 | 80 | 80 | 50 | 100 | 203 | 155 | 180 | 23 | 75 | 300 | 220 | 203 | 183 | 10 | 3 | 193 | 21 |
| | 90 | " | " | " | 203 | 165 | " | 23 | 75 | 300 | 220 | 218 | 198 | 10 | 3 | 199 | 21 |
| | 100 | " | " | " | 223 | 155 | " | 25 | 55 | 280 | 200 | 240 | 218 | 12 | 3 | 256 | 27 |
| | 112 | " | " | " | 223 | 167 | " | 25 | 55 | 280 | 200 | 270 | 245 | 12 | 3 | 263 | 27 |
| | 132 | " | " | " | 243 | 162 | " | 29 | 30 | 340 | 220 | 326 | 304 | 14 | 4 | 292 | 27 |
| | 160 | " | " | " | 273 | 210 | " | 45 | 50 | 500 | 350 | 404 | 364 | 15 | 5 | 311 | 32 |
| 80-50-200 | 80 | 80 | 50 | 100 | 221 | 155 | 200 | 23 | 75 | 300 | 220 | 203 | 183 | 10 | 3 | 211 | 27 |
| | 90 | " | " | " | 221 | 165 | " | 23 | 75 | 300 | 220 | 218 | 198 | 10 | 3 | 217 | 27 |
| | 100 | " | " | " | 238 | 155 | " | 25 | 55 | 280 | 200 | 240 | 218 | 12 | 3 | 271 | 33 |
| | 112 | " | " | " | 238 | 167 | " | 25 | 55 | 280 | 200 | 270 | 245 | 12 | 3 | 281 | 33 |
| | 132 | " | " | " | 261 | 162 | " | 29 | 30 | 340 | 220 | 326 | 304 | 14 | 4 | 310 | 33 |
| | 160 | " | " | " | 261 | 210 | " | 45 | 50 | 500 | 350 | 404 | 364 | 15 | 5 | 329 | 41 |
| 100-65-160 | 80 | 100 | 65 | 100 | 230 | 155 | 200 | 23 | 75 | 300 | 220 | 203 | 183 | 10 | 3 | 220 | 29 |
| | 90 | " | " | " | 230 | 165 | " | 23 | 75 | 300 | 220 | 218 | 198 | 10 | 3 | 225 | 29 |
| | 100 | " | " | " | 250 | 155 | " | 25 | 55 | 280 | 200 | 240 | 218 | 12 | 3 | 282 | 35 |
| | 112 | " | " | " | 250 | 167 | " | 25 | 55 | 280 | 200 | 270 | 245 | 12 | 3 | 290 | 35 |
| | 132 | " | " | " | 270 | 162 | " | 29 | 30 | 340 | 220 | 326 | 304 | 14 | 4 | 318 | 35 |
| | 160 | " | " | " | 300 | 210 | " | 45 | 50 | 500 | 350 | 404 | 364 | 15 | 5 | 338 | 43 |
| 100-65-200 | 90 | 100 | 65 | 100 | 229 | 190 | 225 | 30 | 100 | 370 | 220 | 234 | 207 | 12 | 3 | 225 | 35 |
| | 100 | " | " | " | 249 | 200 | " | 30 | 100 | 370 | 220 | 234 | 227 | 12 | 3 | 272 | 41 |
| | 112 | " | " | " | 249 | 212 | " | 30 | 100 | 370 | 220 | 284 | 257 | 12 | 3 | 279 | 41 |
| | 132 | " | " | " | 269 | 212 | " | 31 | 80 | 400 | 300 | 325 | 298 | 12 | 3 | 278 | 41 |
| | 160 | " | " | " | 299 | 210 | " | 45 | 50 | 500 | 350 | 404 | 364 | 15 | 4 | 337 | 49 |
| | 180 | " | " | " | 299 | 230 | " | 45 | 50 | 500 | 350 | 429 | 389 | 15 | 5 | 365 | 49 |
| 125-80-160 | 90 | 125 | 80 | 125 | 236 | 190 | 225 | 30 | 100 | 370 | 220 | 234 | 207 | 12 | 3 | 232 | 37 |
| | 100 | " | " | " | 256 | 200 | " | 30 | 100 | 370 | 220 | 234 | 227 | 12 | 3 | 279 | 43 |
| | 112 | " | " | " | 256 | 212 | " | 30 | 100 | 370 | 220 | 284 | 257 | 12 | 3 | 286 | 43 |
| | 132 | " | " | " | 276 | 212 | " | 31 | 80 | 400 | 300 | 325 | 298 | 12 | 3 | 285 | 43 |
| | 160 | " | " | " | 306 | 210 | " | 45 | 50 | 500 | 350 | 404 | 364 | 15 | 4 | 344 | 51 |
| | 180 | " | " | " | 306 | 230 | " | 45 | 50 | 500 | 350 | 429 | 389 | 15 | 5 | 372 | 51 |
| 125-80-200 | 90 | 125 | 80 | 125 | 236 | 190 | 250 | 30 | 100 | 370 | 220 | 234 | 207 | 12 | 3 | 232 | 40 |
| | 100 | " | " | " | 256 | 200 | " | 30 | 100 | 370 | 220 | 234 | 227 | 12 | 3 | 279 | 46 |
| | 112 | " | " | " | 256 | 212 | " | 30 | 100 | 370 | 220 | 284 | 257 | 12 | 3 | 286 | 46 |
| | 132 | " | " | " | 276 | 212 | " | 31 | 80 | 400 | 300 | 325 | 298 | 12 | 3 | 285 | 46 |
| | 160 | " | " | " | 306 | 210 | " | 45 | 50 | 500 | 350 | 404 | 364 | 15 | 4 | 344 | 54 |
| | 180 | " | " | " | 306 | 230 | " | 45 | 50 | 500 | 350 | 429 | 389 | 15 | 5 | 372 | 54 |

SHC PUMP RANGE

HORIZONTAL END SUCTION, **MECHANICALLY SEALED**, CENTRIFUGAL PUMPS

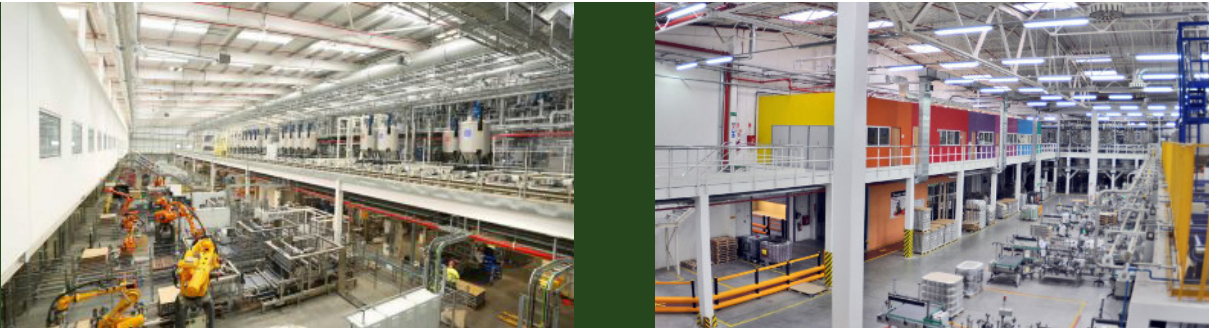
CASE STUDY - AKZONOBEL

“AkzoNobel were able to reduce electricity costs by 26% switching from a competitor pump to Crest’s SHC range.”



Akzo Nobel is a specialist chemicals and paint company with an international presence in over 80 countries in the world. Akzo Nobel were upgrading particular assets during a planned shutdown and wished to replace some existing pumps that had been prone to leakage. A site survey was carried out by Crest where it was believed that not only could replacement SHC pumps be more reliable, but they would also work out to use over 25% less energy.

As a result, Akzo Nobel ordered two horizontal pumps capable of a higher efficiency, combined with ATEX Zone 2 certification and a specific chemical resistant epoxy paint requirement.



CREST STAINLESS STEEL MECHANICAL SEAL SHC PUMPS - UTILISED BY



SHC PUMP APPLICATIONS



CHEMICAL

The SHC range of Crest Pumps are fully corrosion resistant to a wide variety of applications. They have been successfully installed to support high flow rates, pressures and temperatures, boasting up to 80% efficiency.



WATER TREATMENT

Waste water and water applications are suited for the SHC range as the rugged design prevents any rust or corrosion. The large flow rate and high heads on the SHL make it the best solution for industrial liquids, waste water or irrigation.



PHARMACEUTICAL

The SHC range with a closed impeller are suitable for clean liquids or small solids. Designed to meet a wide range of industrial standards providing a safe and continuous operation, paramount to a process line.

