

12

11

10

9

8

7

6

5

4

3

2

1

H

H

G

G

F

F

E

E

D

D

C

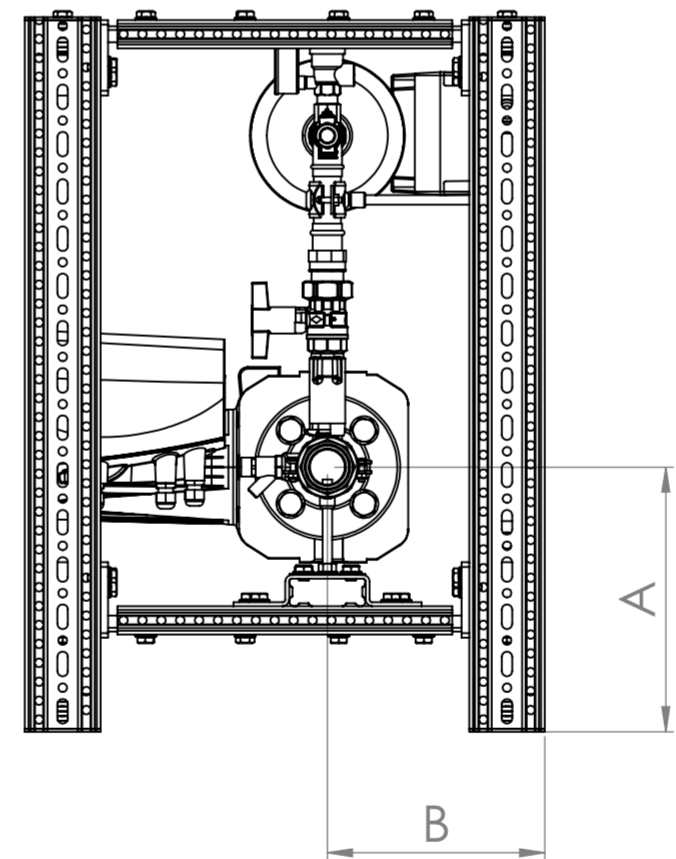
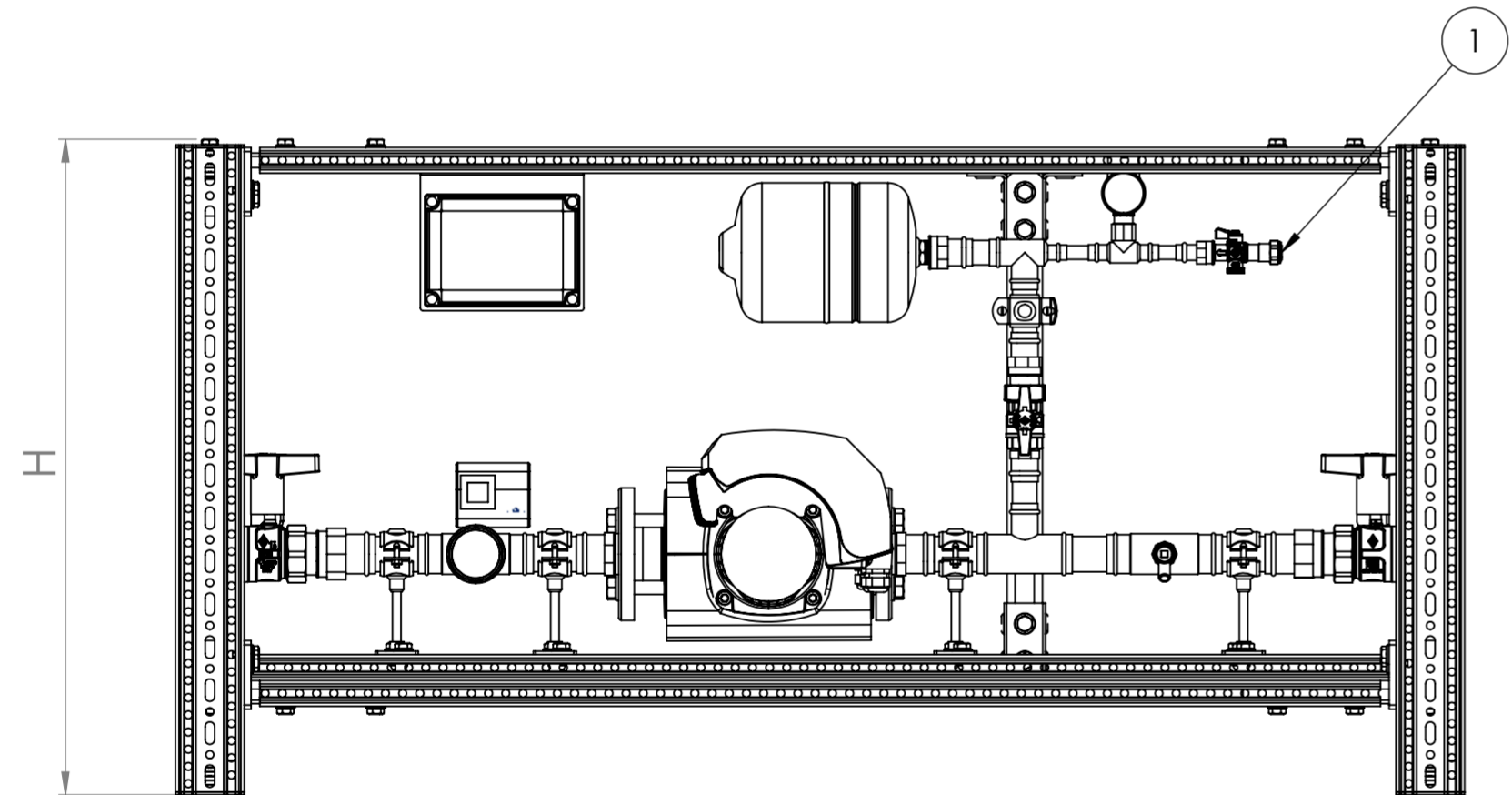
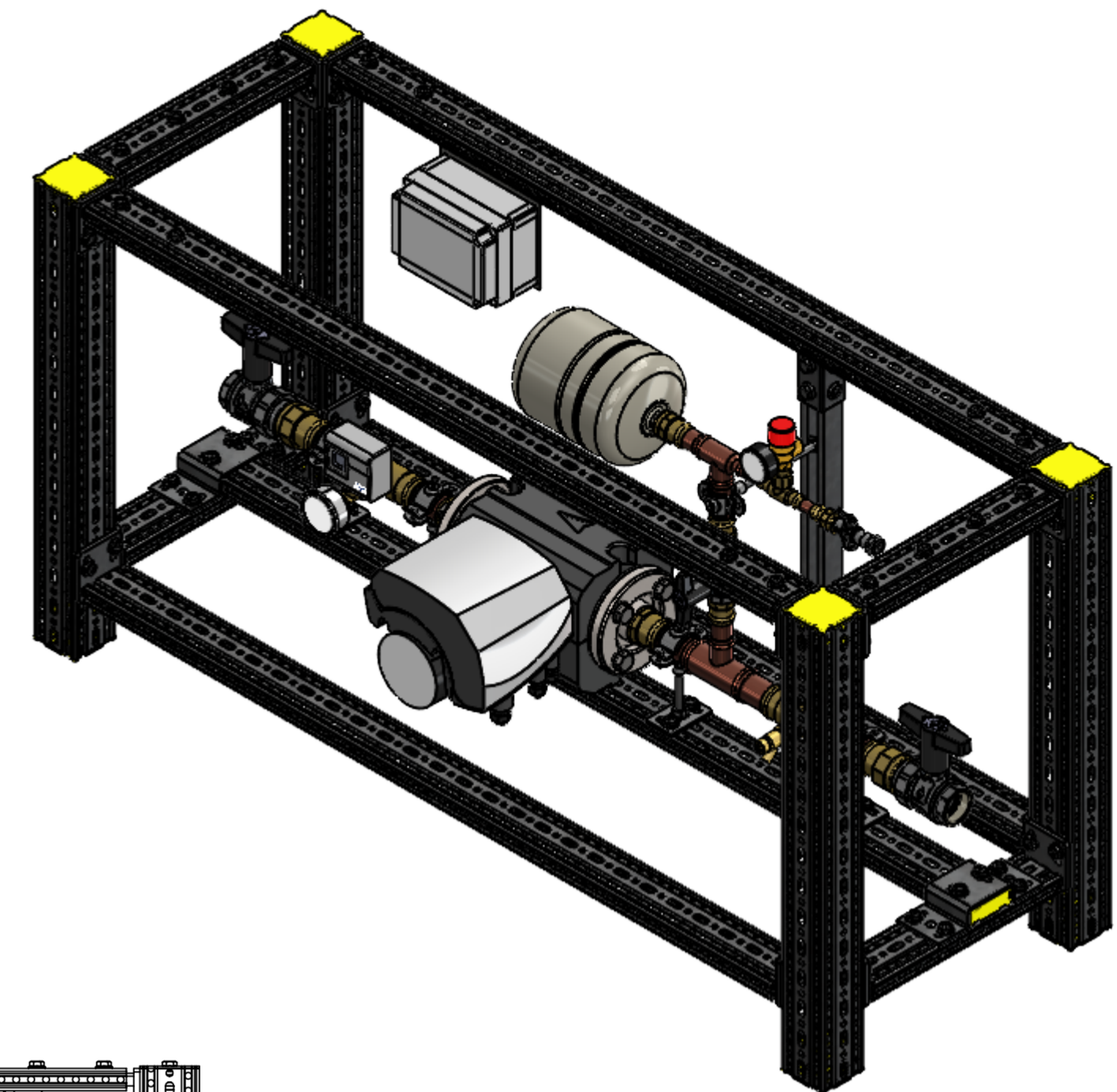
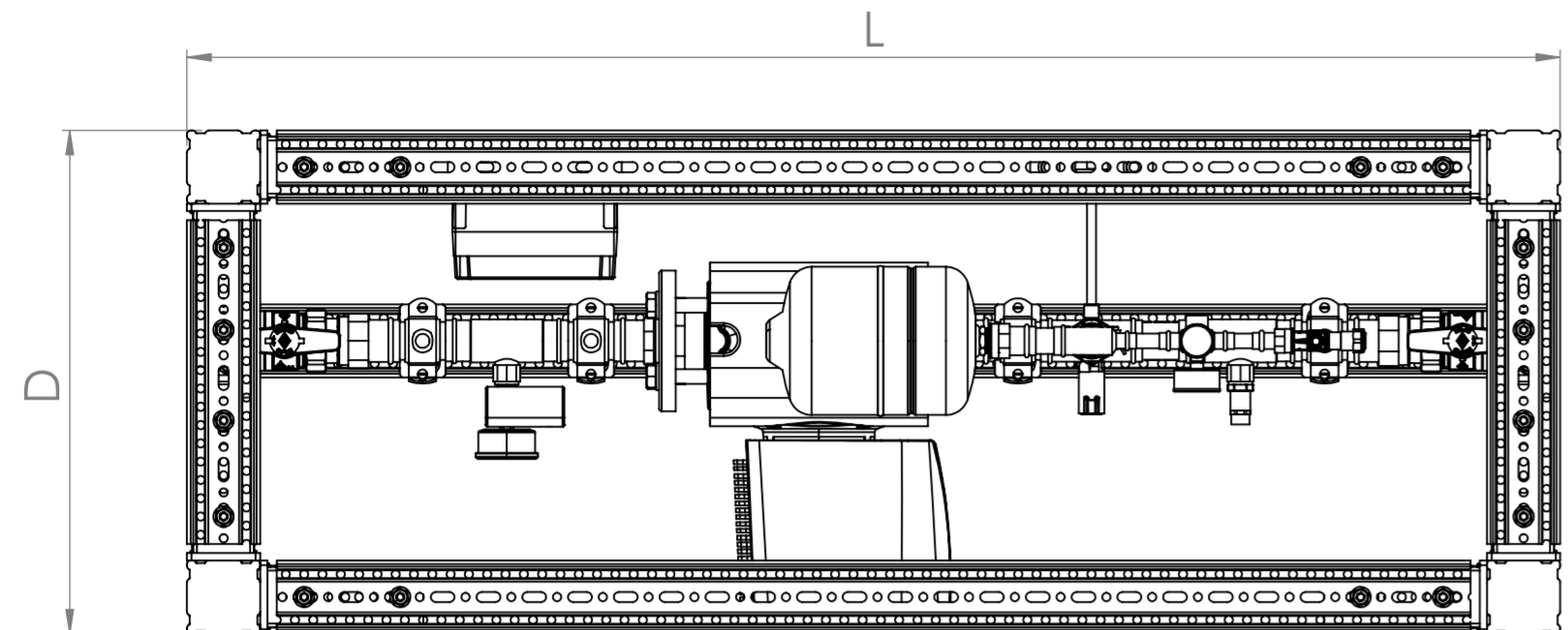
C

B

B

A

A



SERIES	LINE / PUMP SIZE	L	H	D	A	B
5301	DN25	1500	762	550	270	230
5302	DN32				280	
5303	DN40				300	
5304	DN50	1700	812			

REVISIONS				
INDEX	DESCRIPTION	DESIGN	REVIEW	DATE

NOTES:  
1 - FILLING LOOP CONNECTION

PROJECT:		
CUSTOMER:		
DESIGN	LUKE ECCLESTON	20/05/21
CHECKED		
APPROVED		
UNLESS OTHERWISE SPECIFIED DIMENSIONS ARE IN MILLIMETERS		

**Trebles™**

NEW STREET, PARKFIELDS,  
WOLVERHAMPTON, WV4 6AN  
TEL: 01902 333111  
FAX: 01902 340941

WWW.GMTREBLE.CO.UK SALES@GMTREBLE.CO.UK

THIS DOCUMENT AND THE INFORMATION IT CONTAINS IS THE PROPERTY OF G M TREBLE LTD.

TITLE: RUN AROUND COIL PACKAGES		REVISION 1
DRAWING NO: 5301/5302/5304/5305/S	SCALE:1:8	SHEET 1 OF 2
DO NOT SCALE DRAWING	SCALE:1:8	SHEET 1 OF 2

12

11

10

9

8

7

6

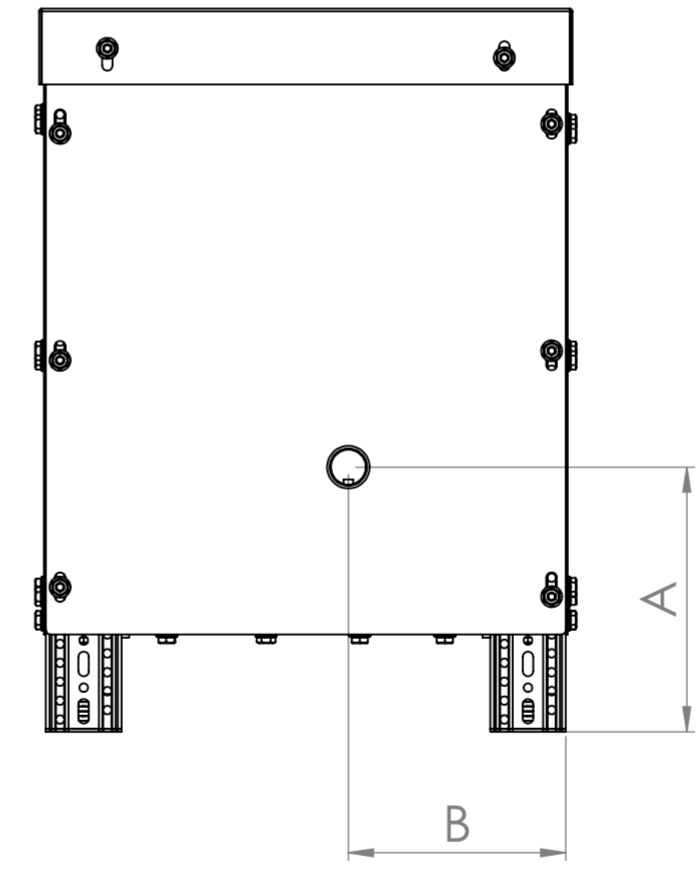
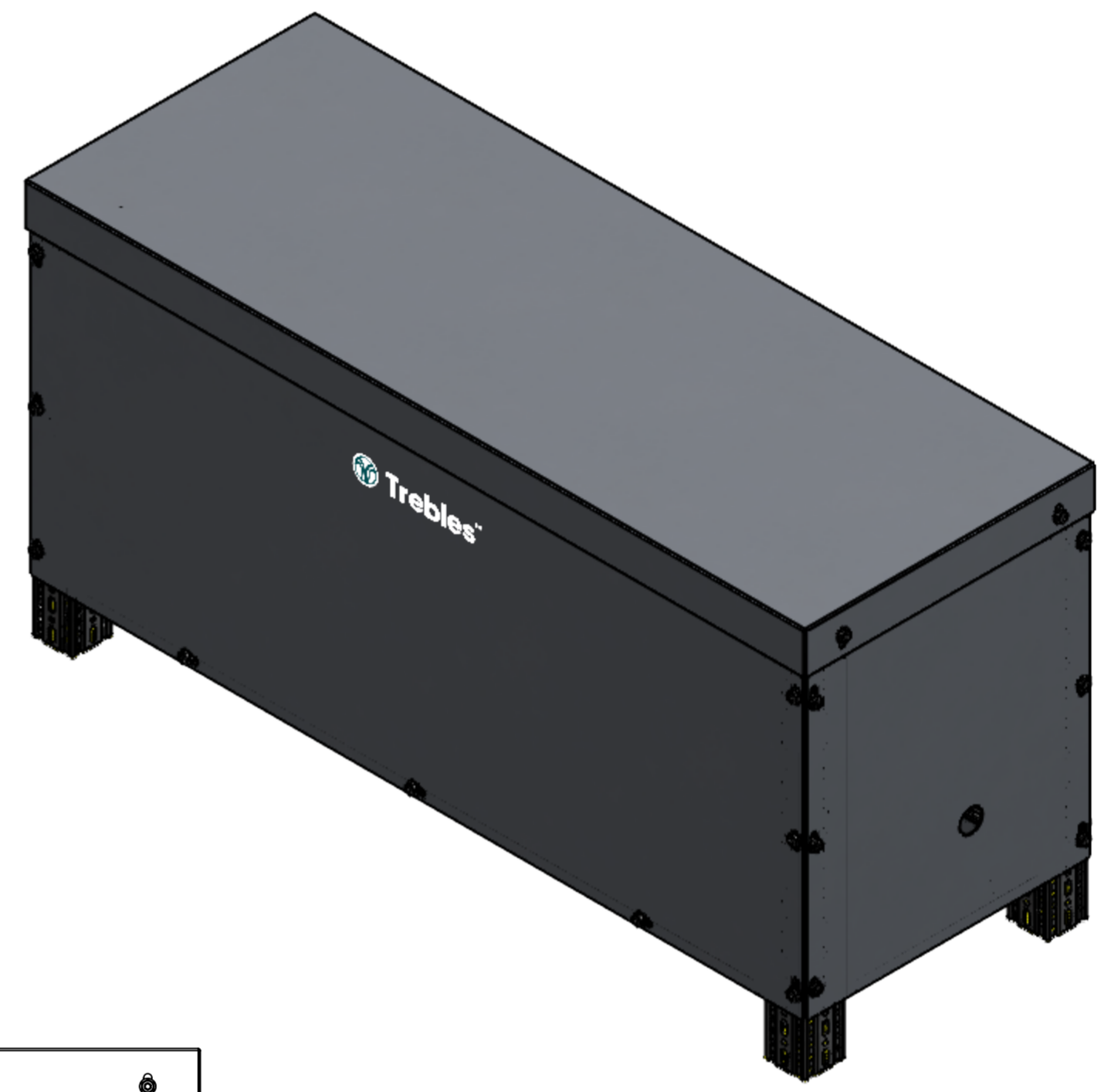
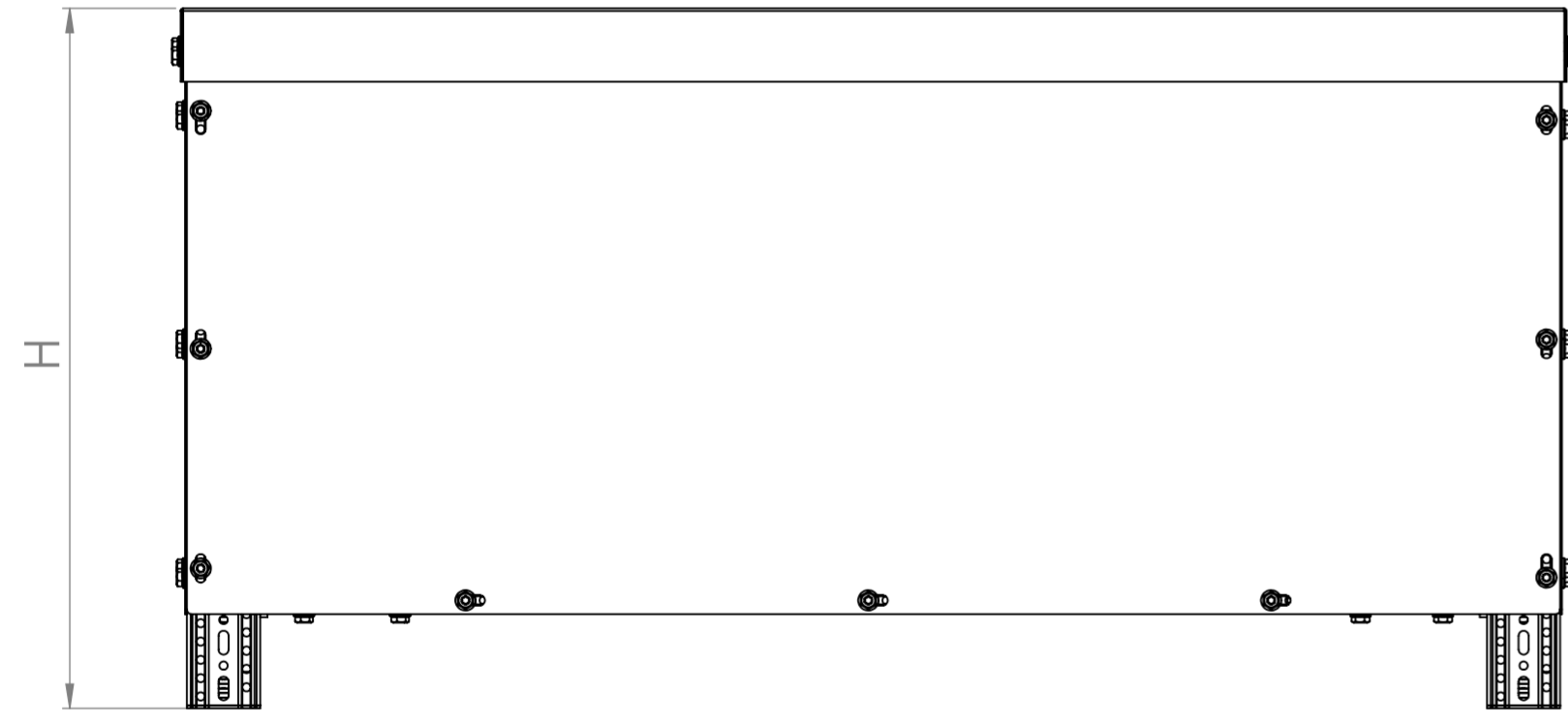
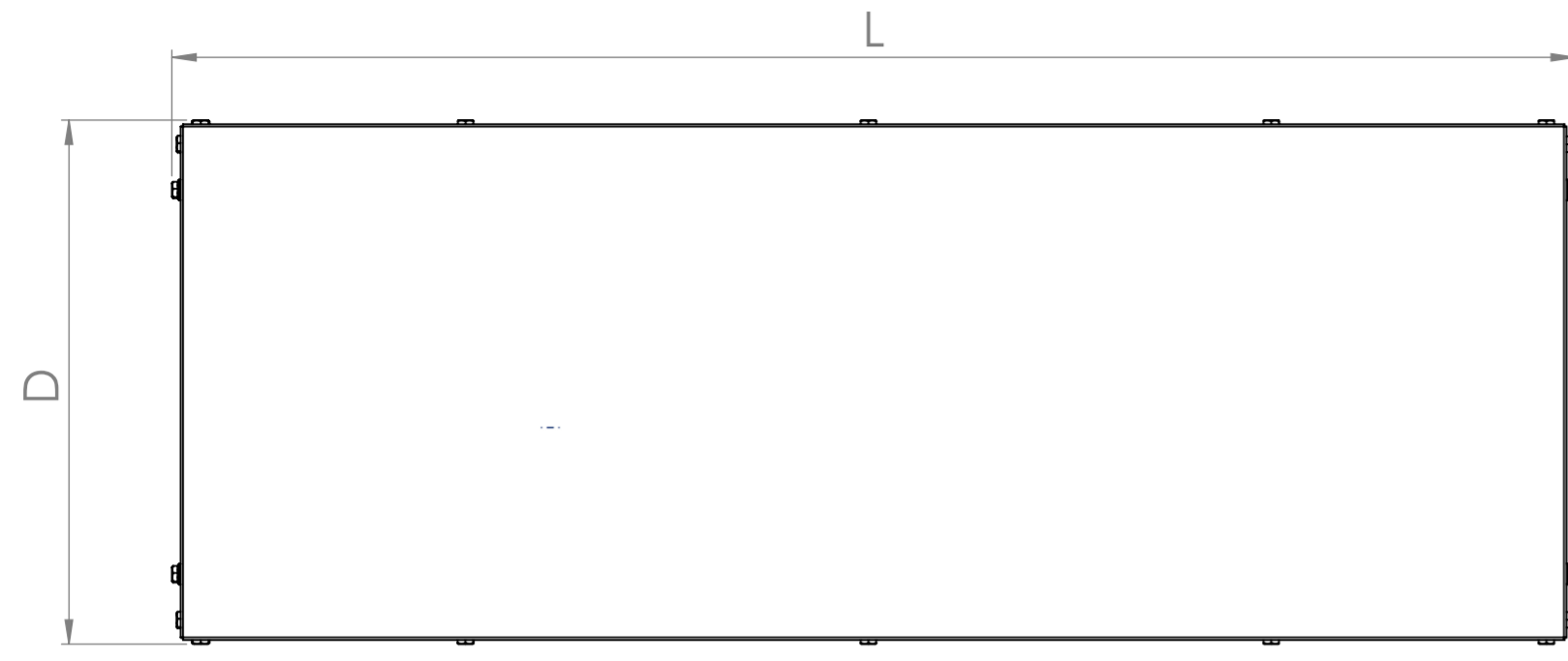
5

4

3

2

1



SERIES	LINE / PUMP SIZE	L	H	D	A	B
5311	DN25	1533	765	573	270	230
5312	DN32				280	
5313	DN40				300	
5314	DN50	1733	815			

REVISIONS				
INDEX	DESCRIPTION	DESIGN	REVIEW	DATE

NOTES:  
1 - FILLING LOOP CONNECTION

PROJECT:  
CUSTOMER:  
DESIGN: LUKE ECCLESTON 20/05/21  
CHECKED:  
APPROVED:  
UNLESS OTHERWISE SPECIFIED DIMENSIONS ARE IN MILLIMETERS

NEW STREET, PARKFIELDS,  
WOLVERHAMPTON, WV4 6AN  
WWW.GMTREBLE.CO.UK

TEL: 01902 333111  
FAX: 01902 340941  
SALES@GMTREBLE.CO.UK

THIS DOCUMENT AND THE INFORMATION IT CONTAINS IS THE PROPERTY OF G M TREBLE LTD.

TITLE:  
RUN AROUND COIL PACKAGES

DRAWING NO: 5311/5312/5314/5315/E

REVISION: 1

DO NOT SCALE DRAWING SCALE: 1:8 SHEET 2 OF 2 A2